

# 4350 1k Needle dosing valve

---



## Description

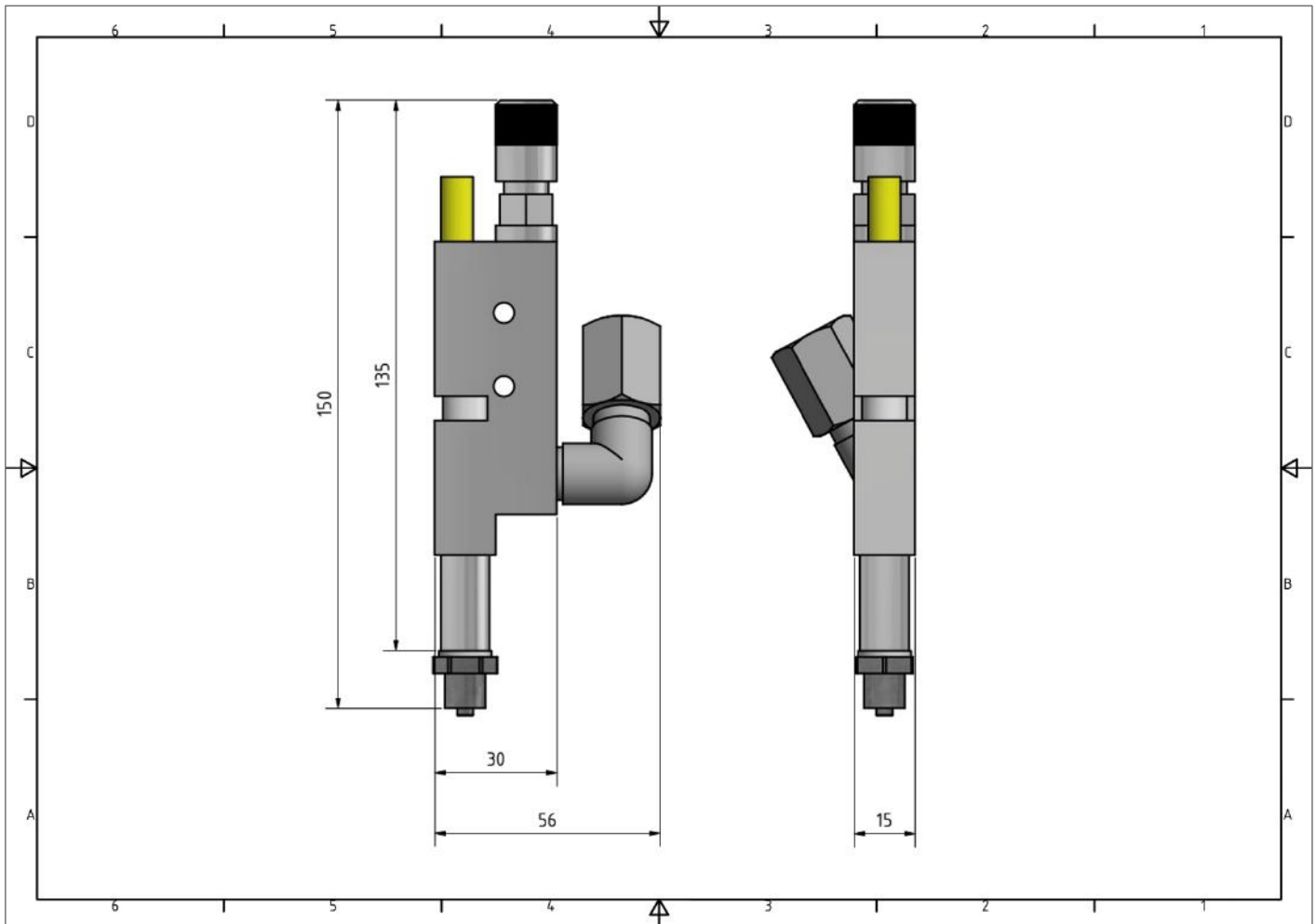
Pressure/Time-controlled 1k Dosing valve.

Pecise Tear-off behavior of dosing material. Pneumatical control 4-6 bar

Mechanical adjustable needle stroke for regulating material output

# 4350 1k Needle dosing valve

Dimensional drawing (Dimensions in mm)



Material inlet	1/8"
Material outlet	LuerLock
Casing	Brass, nickel-plated
Nozzle adapter	NIRO-steel
Viscosity	Low- to middle viscous dosing media
Needle retraction	Via spring or pneumatically
Cycle	Up to 30 cycles per second (due to operational)
Gewicht	0,3 kg