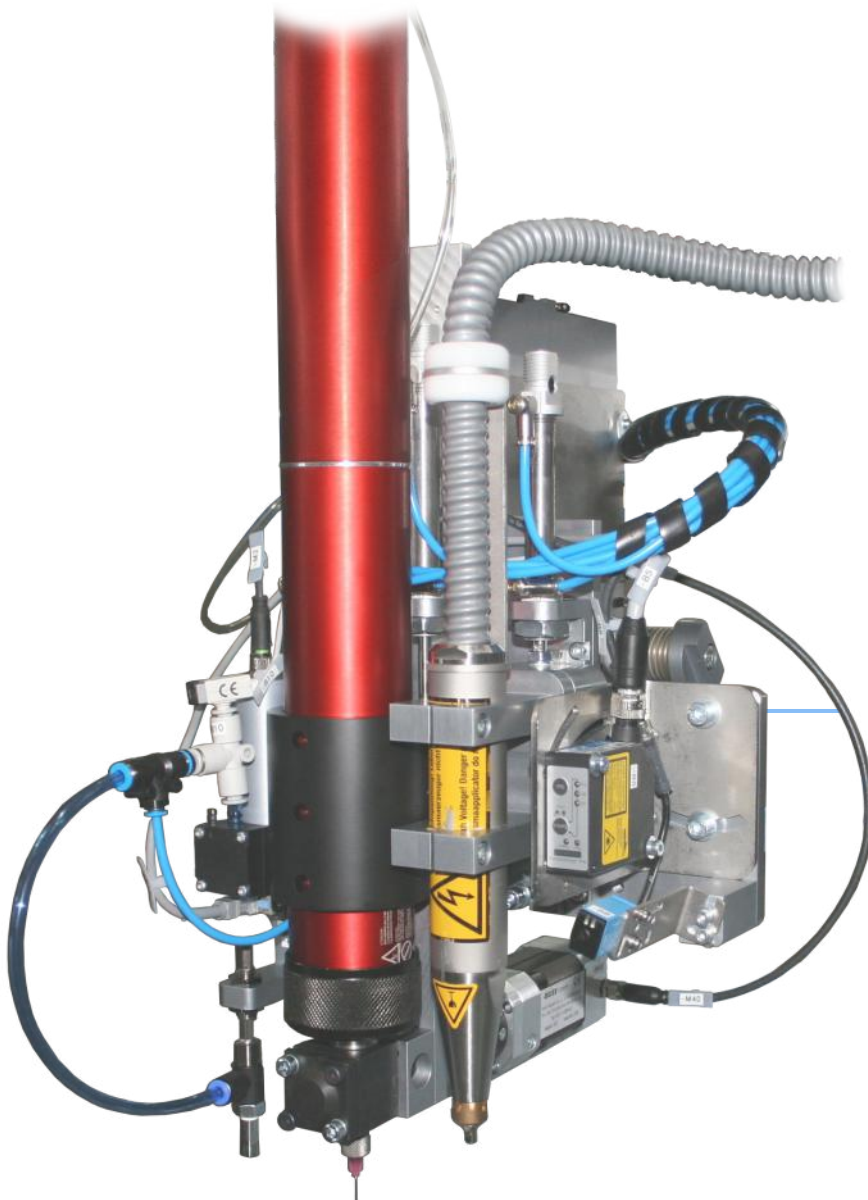


# 2350 3-part slot Z-axis

---



Similar Article: Art.Nr. 2354 2-part slot

---

## Description

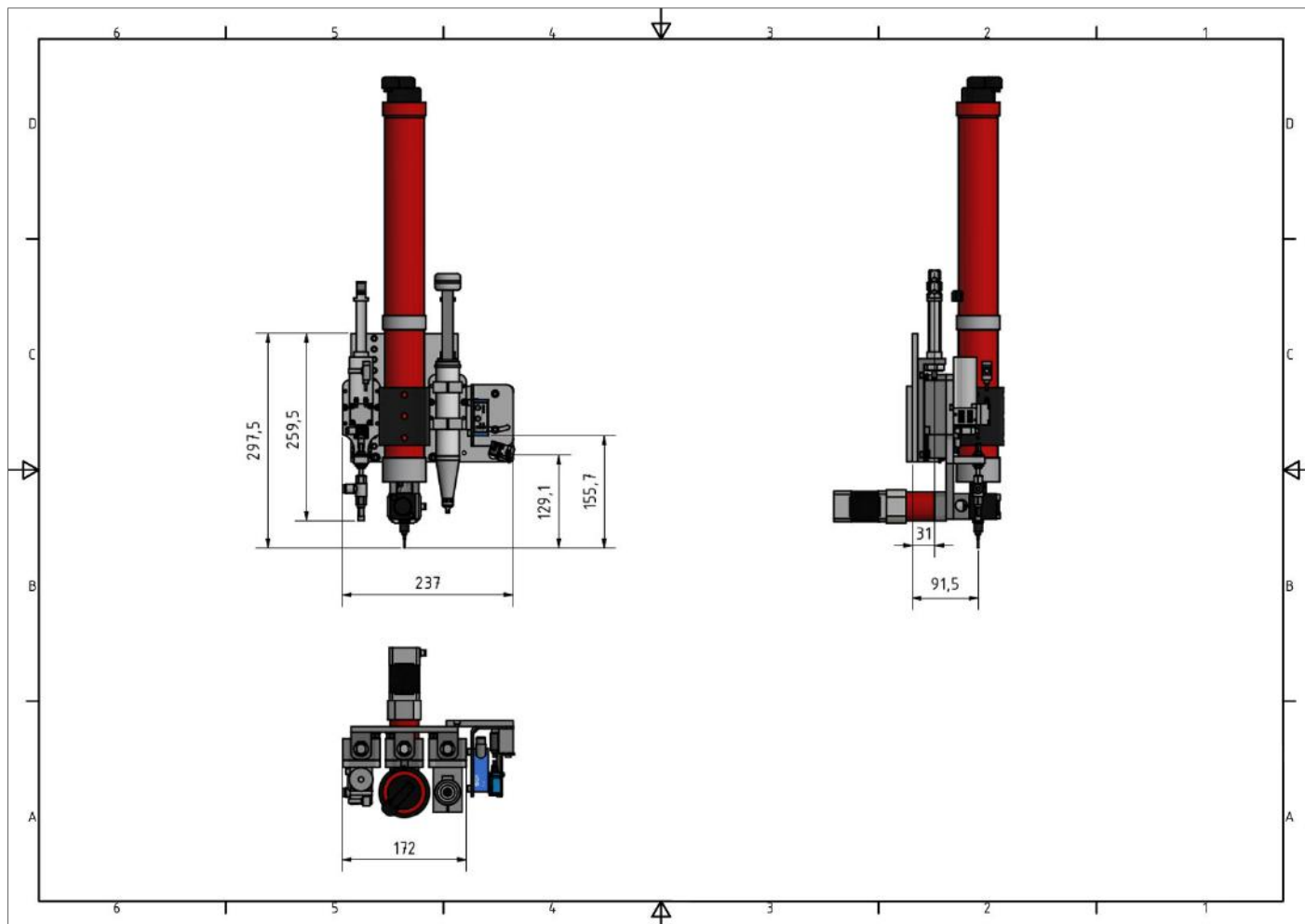
Slot for 3 dosing heads / tools (e.g. Plasma-nozzle, gear pump, Vacuum-suction) on the z-axis. Individually controllable via the DiSoft-Software. Possible additional equipment: Laser distance-meter.

Automatic position detection of the mounted dosing valves / tools. With needle measurement, the components can be readjusted at any time in the position.

The active dosing valve / tool is lowered and raised via a pneumatic cylinder.

# 2350 3-part slot Z-axis

Dimensional drawing Example (Dimensions in mm)



Position accuracy	X / Y = 0,1 mm Z = 0,05 mm
Movement speed	400 mm/s
Load limit per slot	Max. 3 kg / Total max. 6 kg
Suitable dosing valves (Examples)	Needle dosing valves, Dispenser, Cartridge spindle valves
Controlling	Currently selected dosing valve is controlled as the 4th axis
Dimensions	Depending on equipment
Weight	Depending on equipment