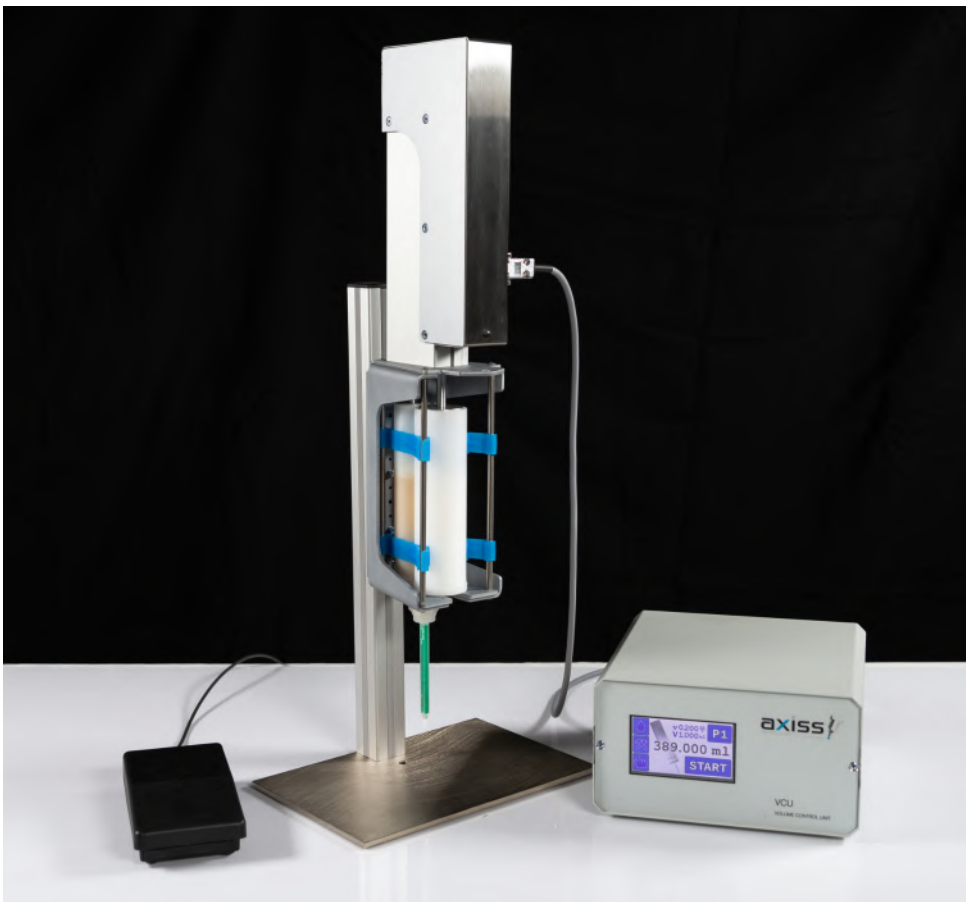


4096 e-dispenser 400



4480 Controller



2410 Stand, big



4472 Foot switch

Description

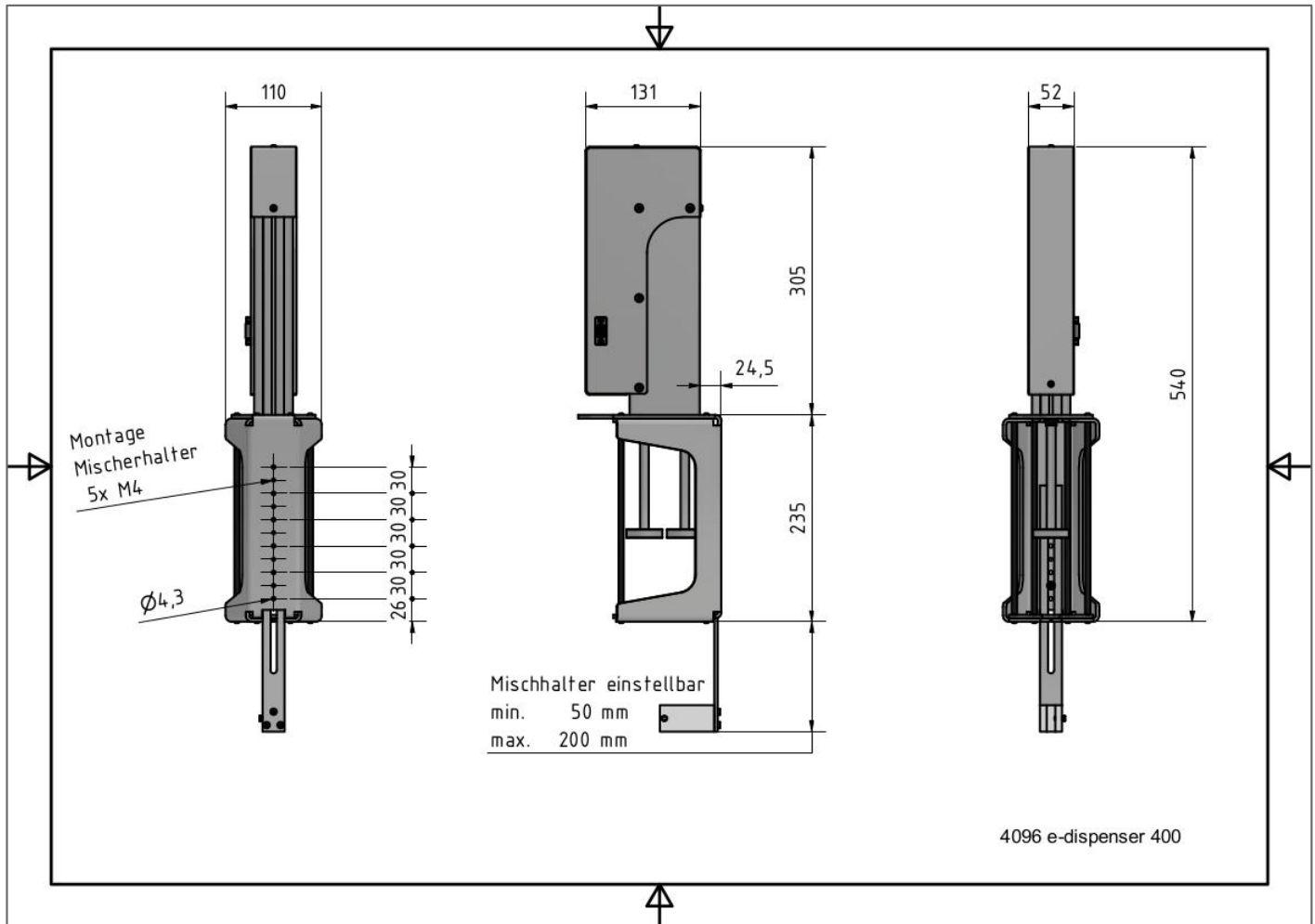
Dosing out of 400 ml DUO cartridges.

Drive via servo motor with recirculating ball screw. Parallel piston movement.
Mixing ratio results from cartridge geometry.
A retraction mechanism relaxes the dosing material in the cartridge and thus prevents dripping.

Adjustable parameters (dosing quantity, dosing speed, etc.) via controller.

4096 e-dispenser 400

Dimensional drawing (Dimensions in mm)



Cartridge size (DUO)	400 ml
Dosing accuracy	+/- 0,2 ml (material depending)
Dosing speed	0,1 – 2 ml/s
Dosing volume min.	0,5 ml
Possible mixing ratios	1:1 / 1:2 / 1:4 / 1:10
Viscosity	Low to high viscous dosing media
Dimensions	540 x 131 x 110 mm
Weight	4,2 kg