

4020 1k Dispenser 1,1 ml



4480 Controller



2410 Stand. big



4472 Foot switch

Description

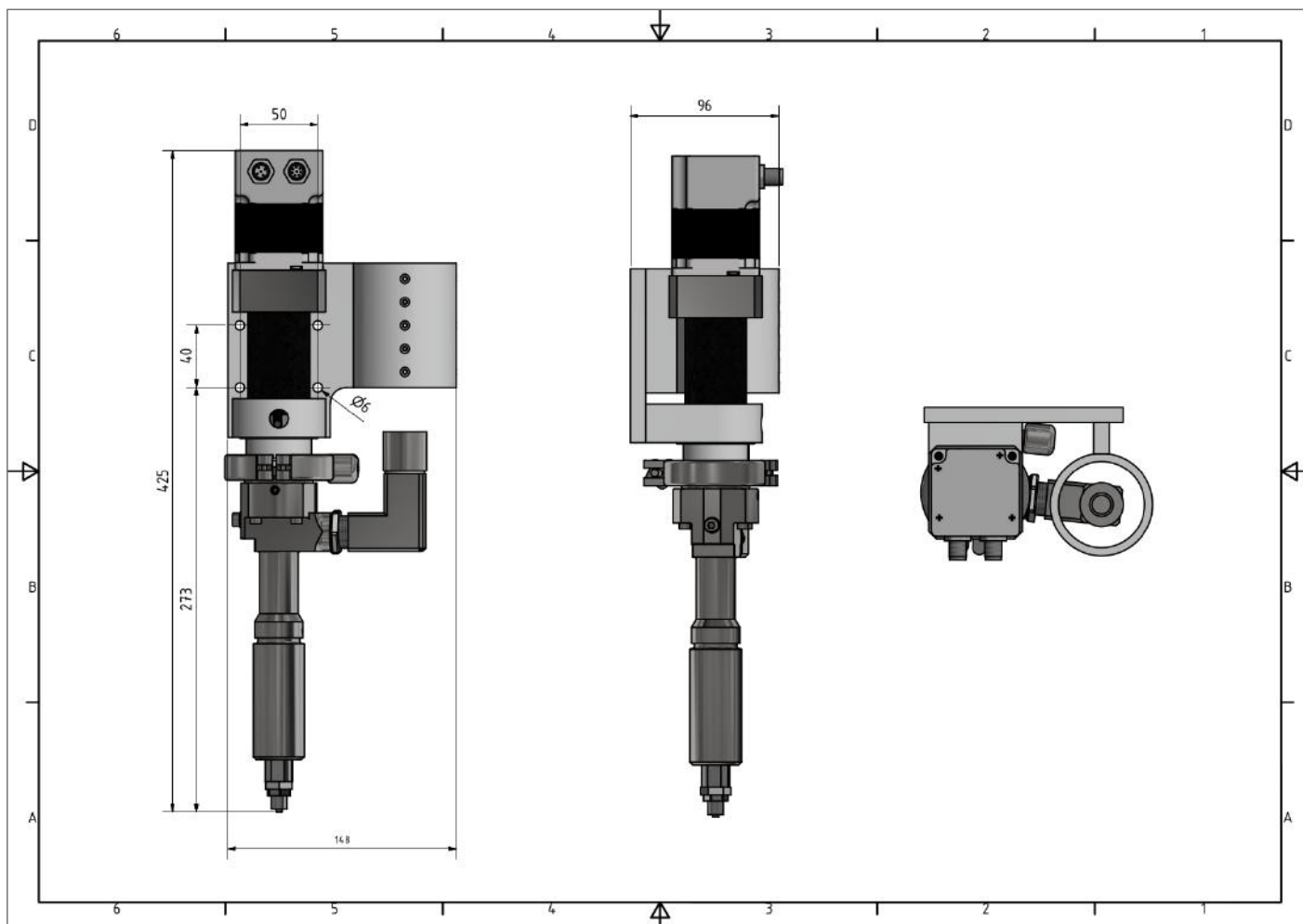
Volum dosage of low to medium-viscosa media via an eccentric screw.

Material protecting charging with with a volume accuracy of approx. 1% (material depending).

Suitable for dosing of UV-materials, silicones, adhesives, greases and even abrasive media.

4020 1k Dispenser 1,1 ml

Dimensional drawing (Dimensions in mm)



Charging volume	1,1 ml / Rot.
Dosing accuracy	+/- 1% (material depending)
Dosing speed	0,1 – 1,1 ml/s
Dosing volume min.	0,3 ml
Viscosity	Low to middle viscous dosing media
Dimensions	425 x 148 x 96 mm
Weight	3 kg