

# 4075 *e*-dispenser 310



4480 Controller



2410 Stand, big



4472 Foot switch

## Description

Dosing out of 310 ml Euro cartridges.

Drive via gear servo motor with recirculating ball screw.  
Parallel piston movement.

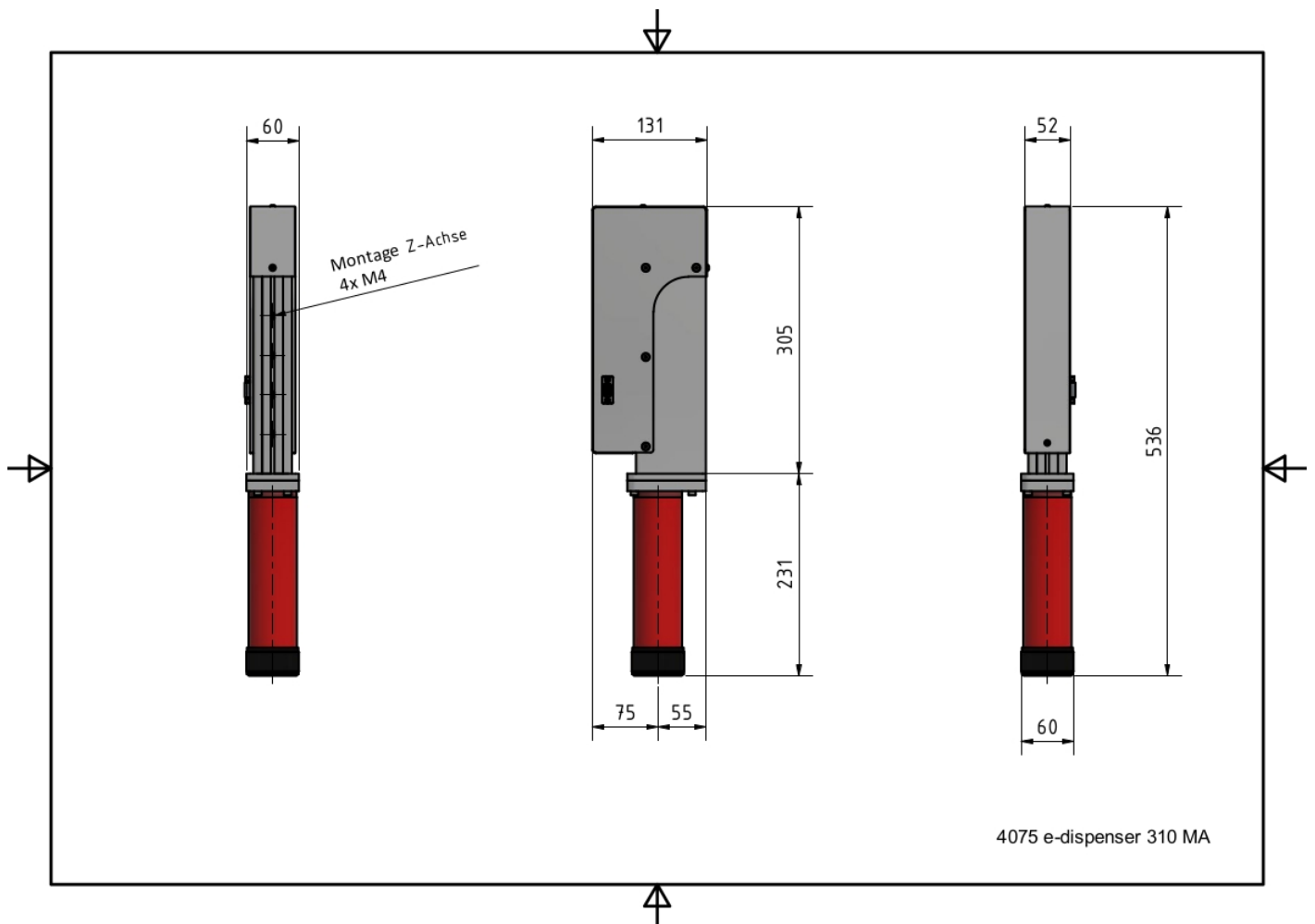
Mixing ratio results from cartridge geometry.

A retraction mechanism relaxes the dosing material in the cartridge and thus prevents dripping.

Adjustable parameters (dosing quantity, dosing speed, etc.) via controller.

# 4075 e-dispenser 310

Dimensional drawing (Dimensions in mm)



Cartridge size (Euro)	310 ml
Dosing accuracy	+/- 0,2 ml (Material depending)
Dosing speed	0,2 – 2 ml/s
Dosing volume min.	0,4 ml
Viscosity	Middle to high viscous dosing media
Dimensions	536 x 131 x 60 mm
Weight	4,5 kg