

1528 Height sensor / Distance meter



T:Probe

21.254

CS 3: Programm

-220.000

-135.000

0.000

mm/s: 0.00

Zähler Gesamt: 75 Teile: 0

Z-Messwert: 12.124 mm

Temperatur: 23.3° Feuchtigkeit: 31.8%

Z-Höhe messen

Z-Höhe messen

GOTO Teach

X -220.00 Y -135.00

Z-Messbereich Min./Max. = + 5.00

Z-Offset 0.60

OK Schließen

DiSoft Programm Editor

Datei Bearbeiten Programm Ausführen Einstellen Hilfe

Befehl X Y Z

```
toolMgr.get 15 2; // 15: T:15 (C5: V-ECOPEN-450)
SetCoordSys "X1Y1Z1" "C0x"
    150.00 -188.00 -70.00 ;
Display 0x0380FF00 "Messposition";
ZProbe.SetCoordSysZ 5.00
    -220.00 -135.00 0.60 ;
Dot 1 0.00 0.00 0.00 ;
```

Description

Optical height- and distance measurement. Mounted on the Z axis.

A new 0 position can be set after the component height has been scanned. The new dosing level is calculated.

Automatic compensation of the needle tip or dosing height. Evaluation via software "Disoft".

1528 Height sensor / Distance meter

Dimensional drawing (Dimensions in mm)

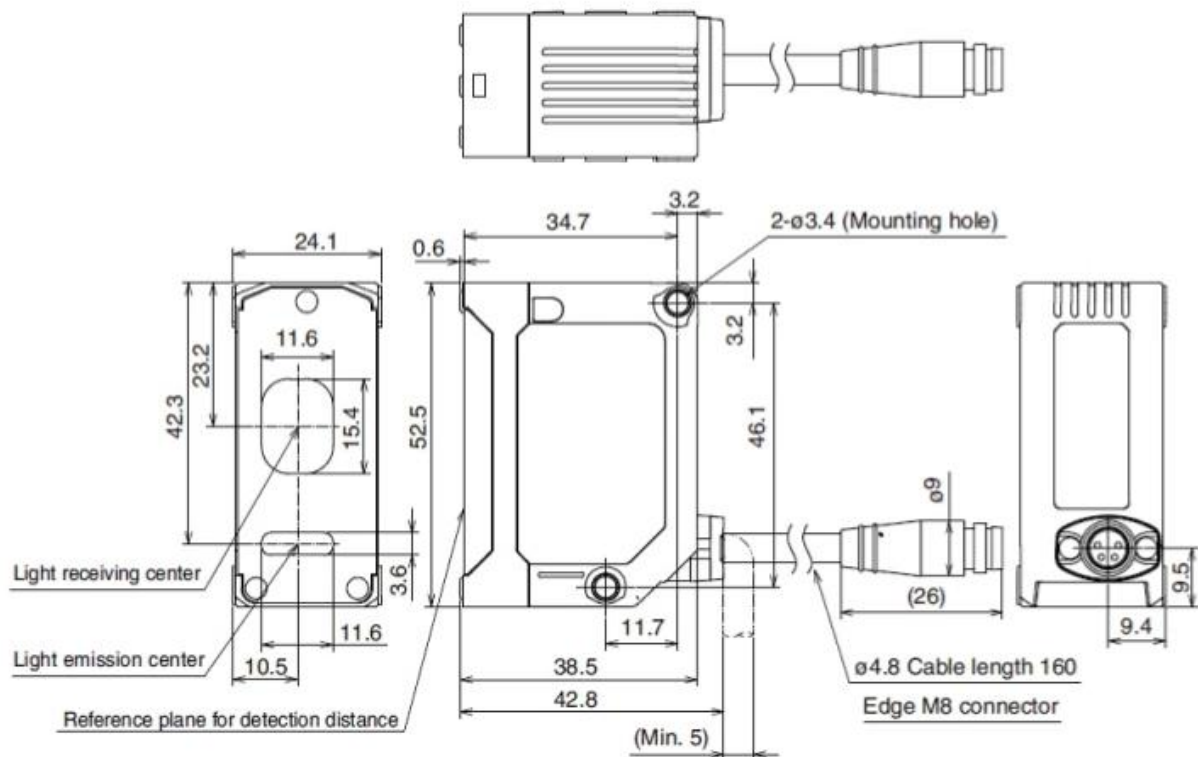
Datenblatt

KEYENCE

Abmessungen

* Wenn der Text schwierig zu lesen ist, lesen Sie bitte in den CAD-Daten oder in der Bedienungsanleitung nach.

● IL-S065/IL-065/IL-S100/IL-100



Laser class	Class 2
Ambient light	Light lamp, 7500 Lux
Resolution / Sampling area	min. 0,5 mm (smaller areas have to be checked!)
Reference distance	100 mm
Test distance	70 mm
Measurement tolerance	ca. 0,2 mm, depending on glue or surface
Connection	USB
Operating temperatur	-10...+50°C
Weight	75 g