

# 4095 e-Dispenser E400



## Description

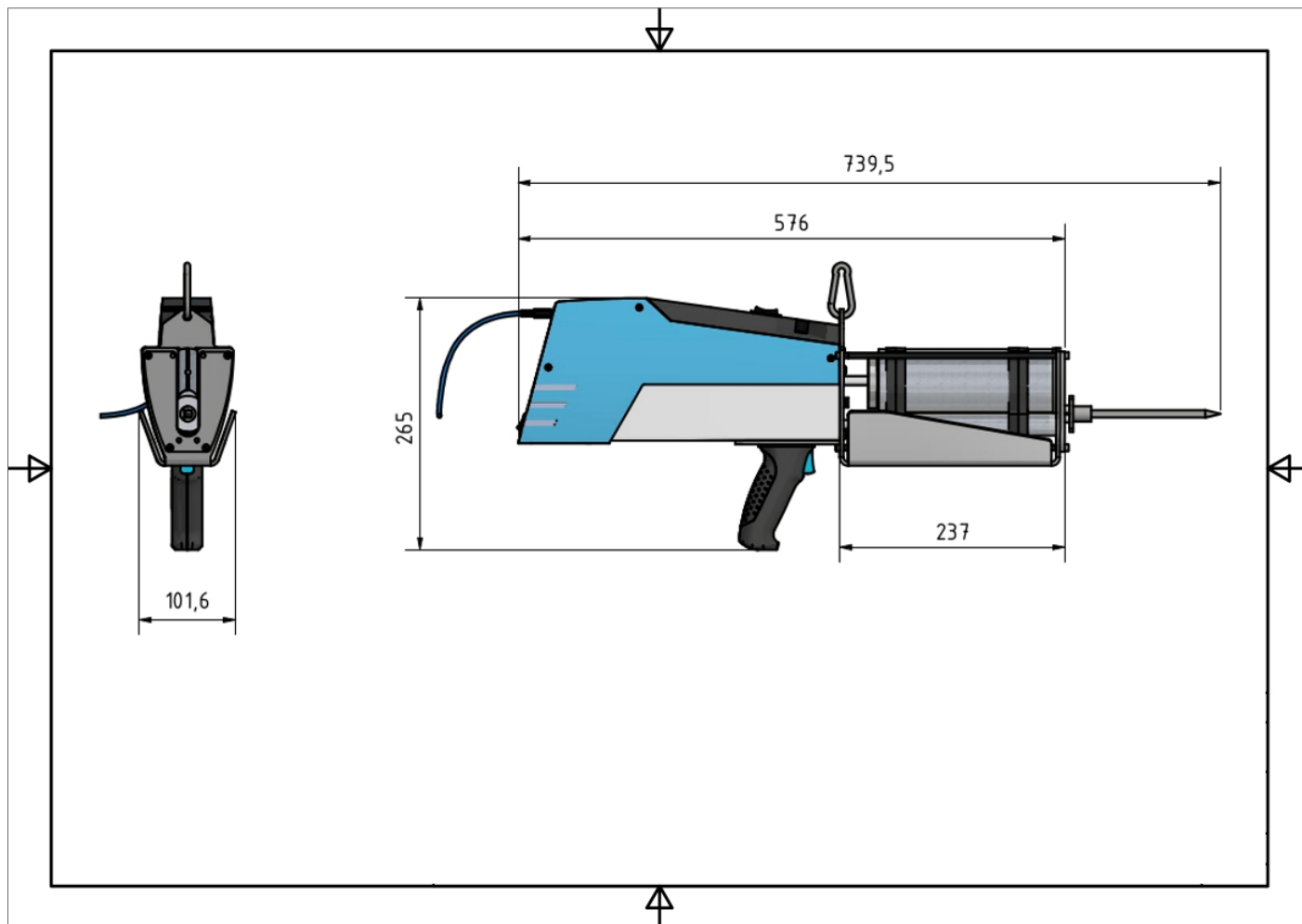
Electric dosing gun for dispensing from 2k-DUO cartridges. Drive via gear servo motor with recirculating ball screw. The pistons move parallelly to each other. The mixing ratio results from the cartridge geometry.

The gun doses in volume dosing mode and continuous dosing. By retract, the material within the cartridge is eased and therefor prevents a dripping.

With toggle switch and rotary poti parameters such as dosing quantity, metering speed, etc. can be set.

# 4095 e-Dispenser E400

Dimensional drawing (Dimensions in mm)



Cartridge size (DUO)	400 ml
Dosing accuracy	+/- 0,25 ml (material depending)
Dosing speed	0,01 – 1 ml/s
Dosing volume min.	0,4 ml
Possible mixing ratios	1:1 / 1:2 / 1:4 / 1:10
Viscosity	Low to high viscous dosing media
Dimensions	739 x 265 x 101,6 mm
Weight	3,9 kg