

4031 2k-Dispenser 0,14 ml



Option Art. 4385 Shut-off valve (new)

Description

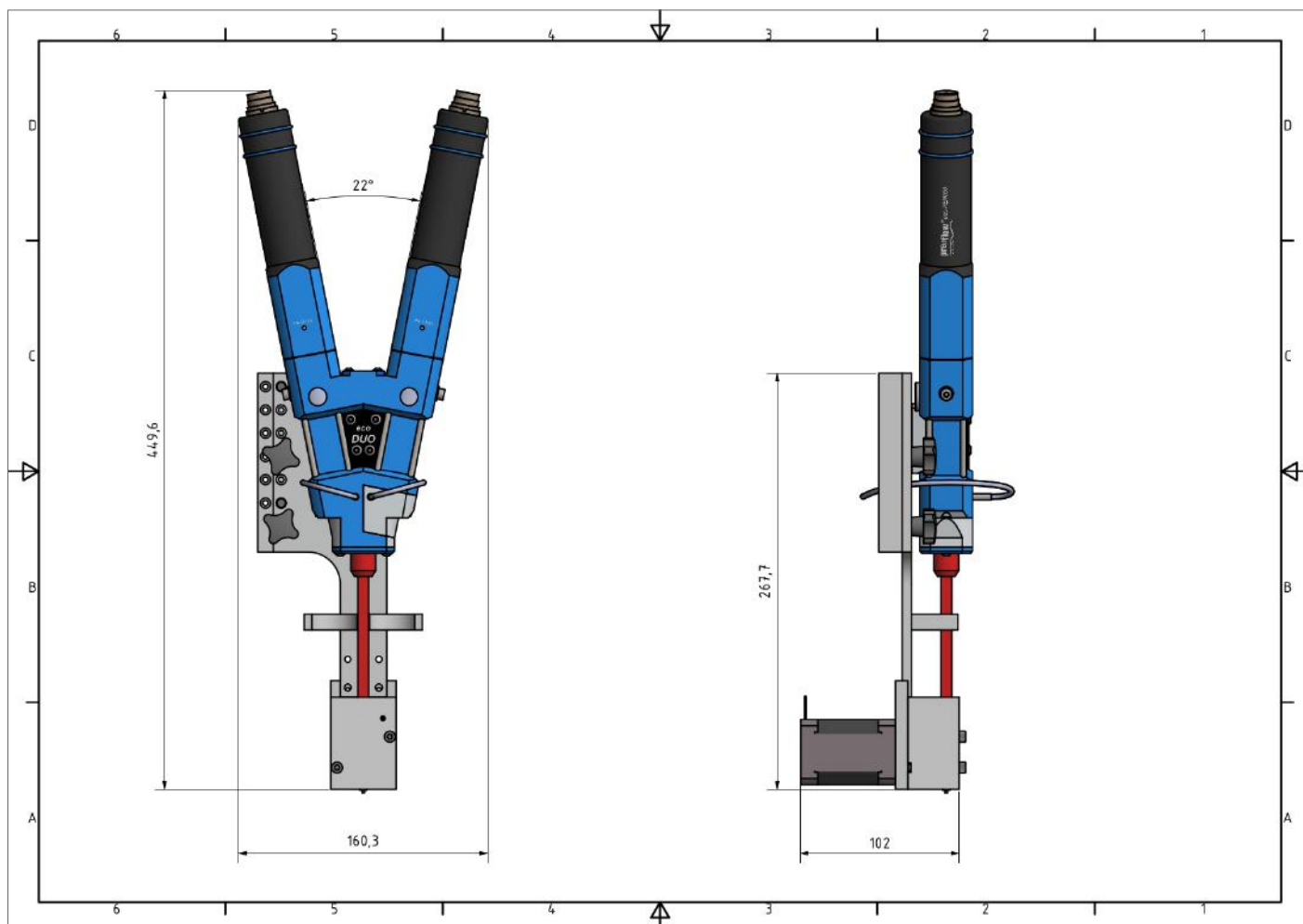
2k volume dosing via eccentric screw for applying low to high-viscous media. A shut-off valve prevents a dripping.

Material protecting processing with a volume accuracy of approx. 1%.

Suitable for dosing UV material, silicones, adhesives, greases, but also abrasive media.

4031 2k-Dispenser 0,14 ml

Dimensional drawing (Dimensions in mm)



Output volume	2 x 0,14 ml/ Rotation
Dosing accuracy	+/- 1%
Dosing speed	0,01 – 0,14 ml/s
Dosing volume min.	0,03 ml
Possible mixing ratios	1:1 / 1:5
Viscosity	Low to high viscous dosing media
Dimensions	449,6 x 160,3 x 102 mm
Gewicht	3 kg