

5032 Mixing tube heating



4500 Heating control device

Description

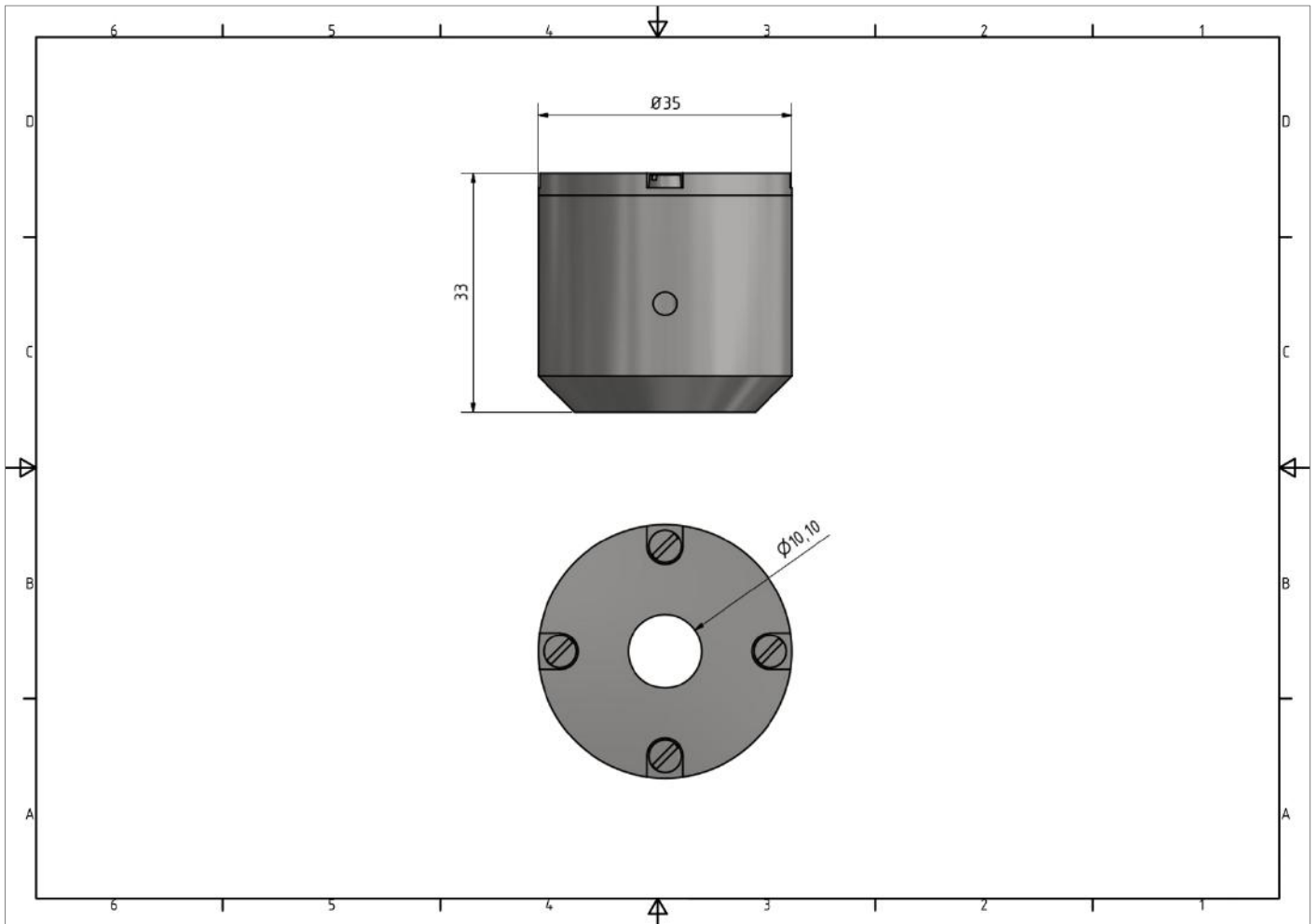
The mixing tube heater consists of a heating element pushed over the round mixing tube and fixed with a rendel screw.

Only the material to be dosed is heated and not the entire container (material-friendly).

Heating control device: Setting the temperature over digital input of a setpoint. Output of the actual and setpoint value via display.

5032 Mixing tube heating

Dimensional drawing (Dimensions in mm)



Mixing tube dimension, -form	8-11 mm, round
Temperature range	0 – 80° C
Temperatur sensor	PT 100
Temperature control	+/- 2° C
Connection cable length	150 cm
Power supply	DC 230V
Connection Heating control device	5-pole Tuchel plug
Dimensions	Ø 35 x 33 mm