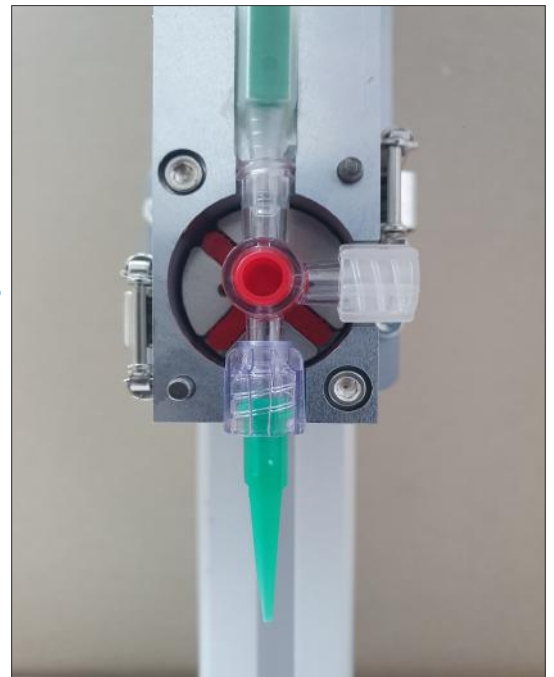
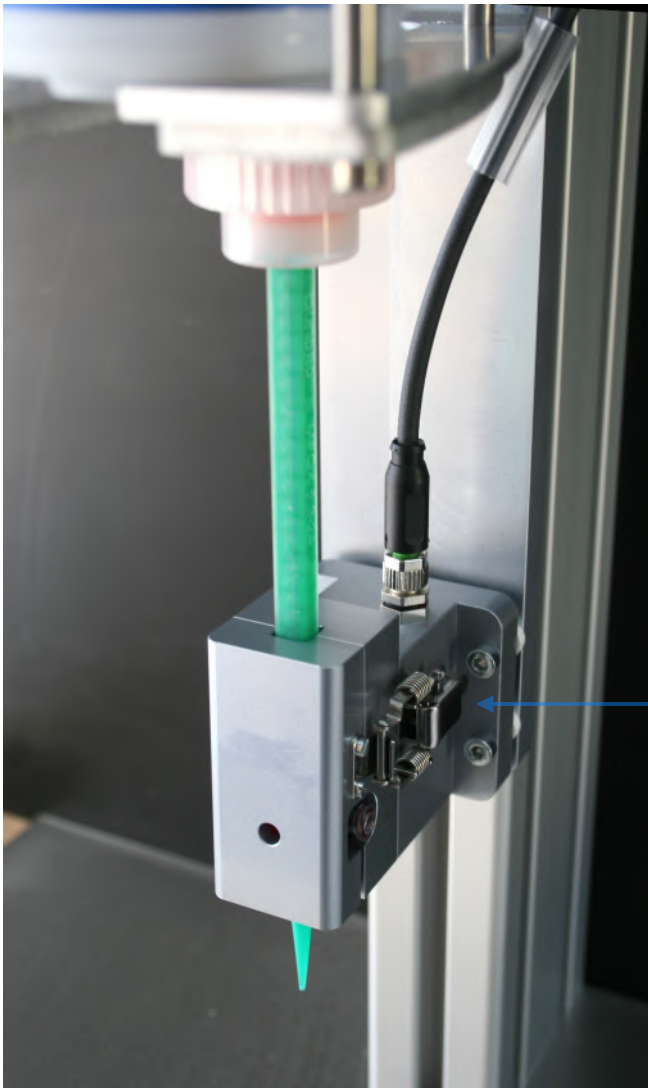


4385 2k-Shut-off valve mixing tube



Description

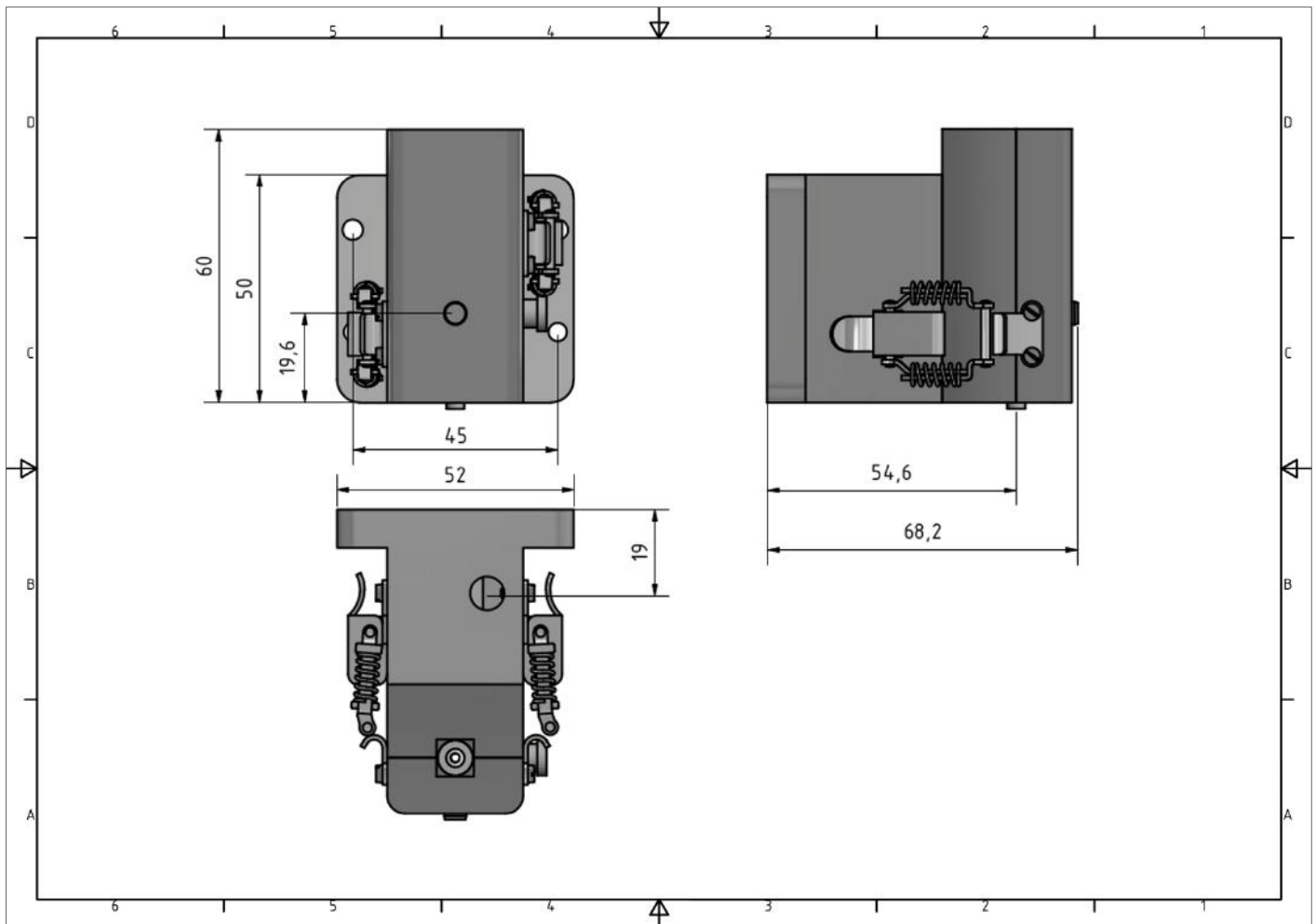
Mixing tube shut-off valve, suitable for V-2K-DUO Electro valves or 2k-Dispenser.

Prevents dripping of dosing material when using very low viscous dosing media.

The internal disposable tap can be easily taken and can be replaced as needed.
Cover cap removable with 2 box locks.

4385 2k-Shut-off valve mixing tube

Dimensional drawing (Dimensions in mm)



| | |
|-----------------|---------------------------------|
| Casing Material | Aluminium |
| Drive | Digital Servo motor 24V |
| Wearing part | 5020-0002 one-way cock LuerLock |
| Accessory | Holder |
| Dimension | 60 x 52 x 68,2 mm |
| Weight | 250 g |