

# 4050 2k Dosing valve E200



4480 Controller



2410 Stand, big



4472 Foot switch

## Description

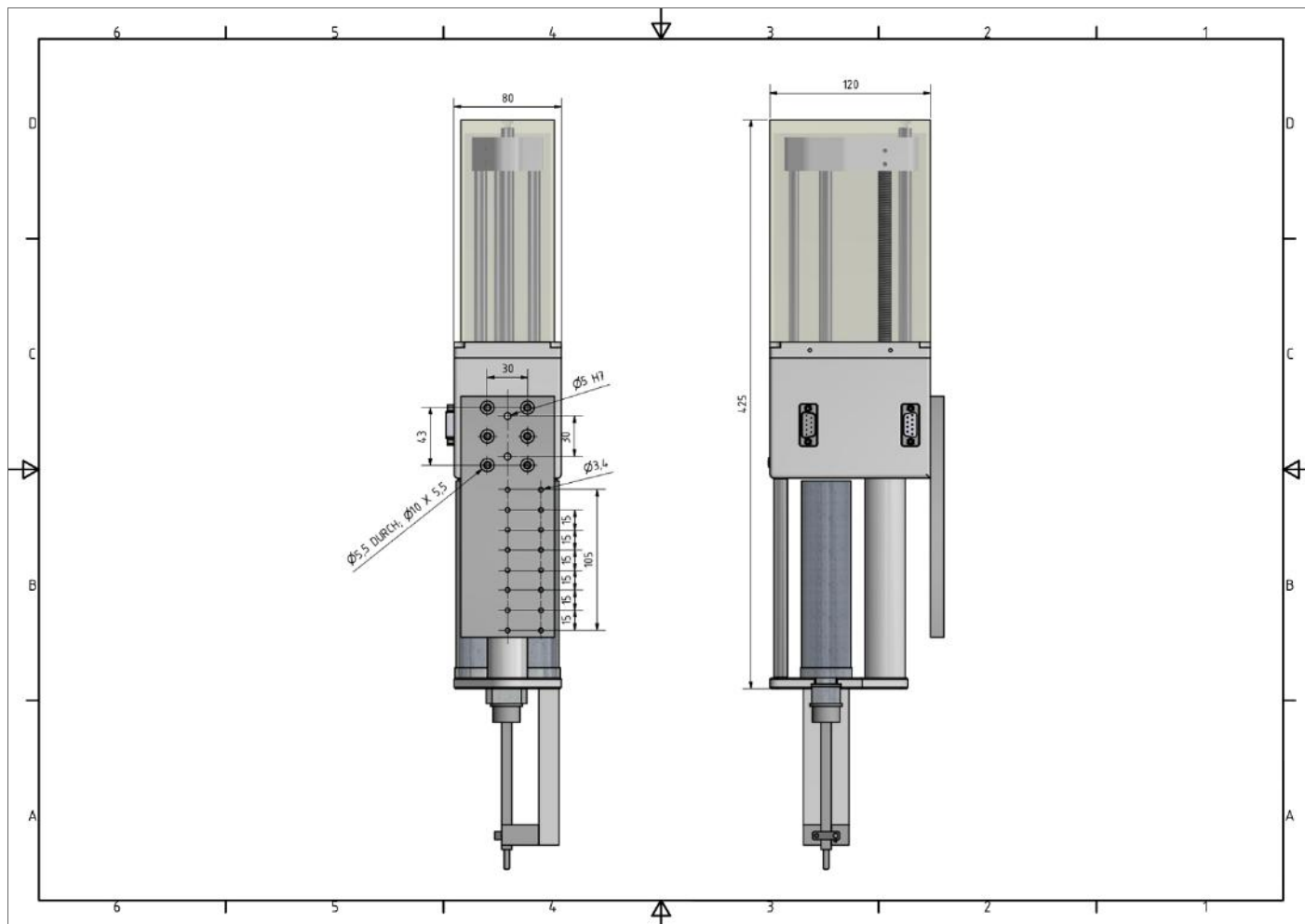
Electrical 2k dosing valve. Dosing out of 200 ml DUO-cartridges. A spindle simultaneously presses component A and B along guided bars.

With a retreat, the material within the cartridge is eased. This prevents a dripping.

With a controller, parameters such as dosing volume, dosing speed etc. can be set.

# 4050 2k Dosing valve E200

Dimensional drawing (Dimensions in mm)



Cartridge size (DUO)	200 ml
Dosing accuracy	+/- 0,05 ml (Material depending)
Dosing speed	0,05 – 1 ml/s
Dosing volume min.	0,1 ml
Possible mixing ratios	1:1 / 1:2 / 1:4 / 1:10
Viscosity	Middle to high viscous dosing media
Dimensions	425 x 120 x 80 mm
Weight	4,5 kg