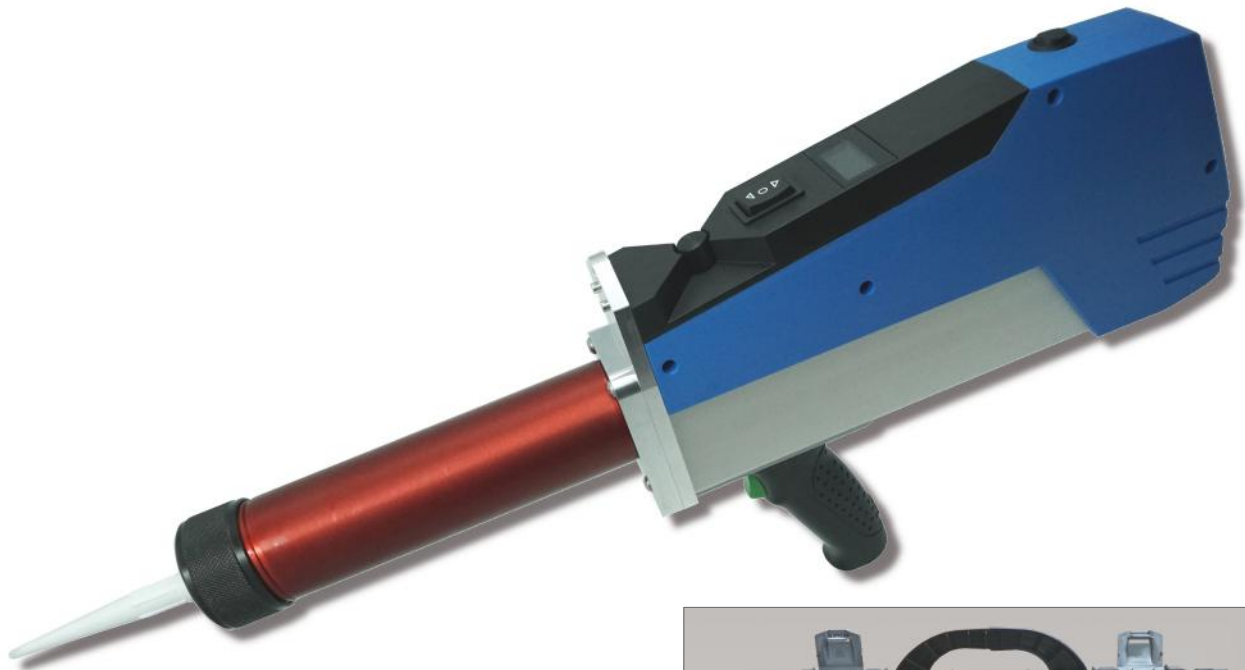


4074 e-dispenser 310



5055-1 Accu-Set 5,0 Ah, 18V



5056-1 Transport case

Description

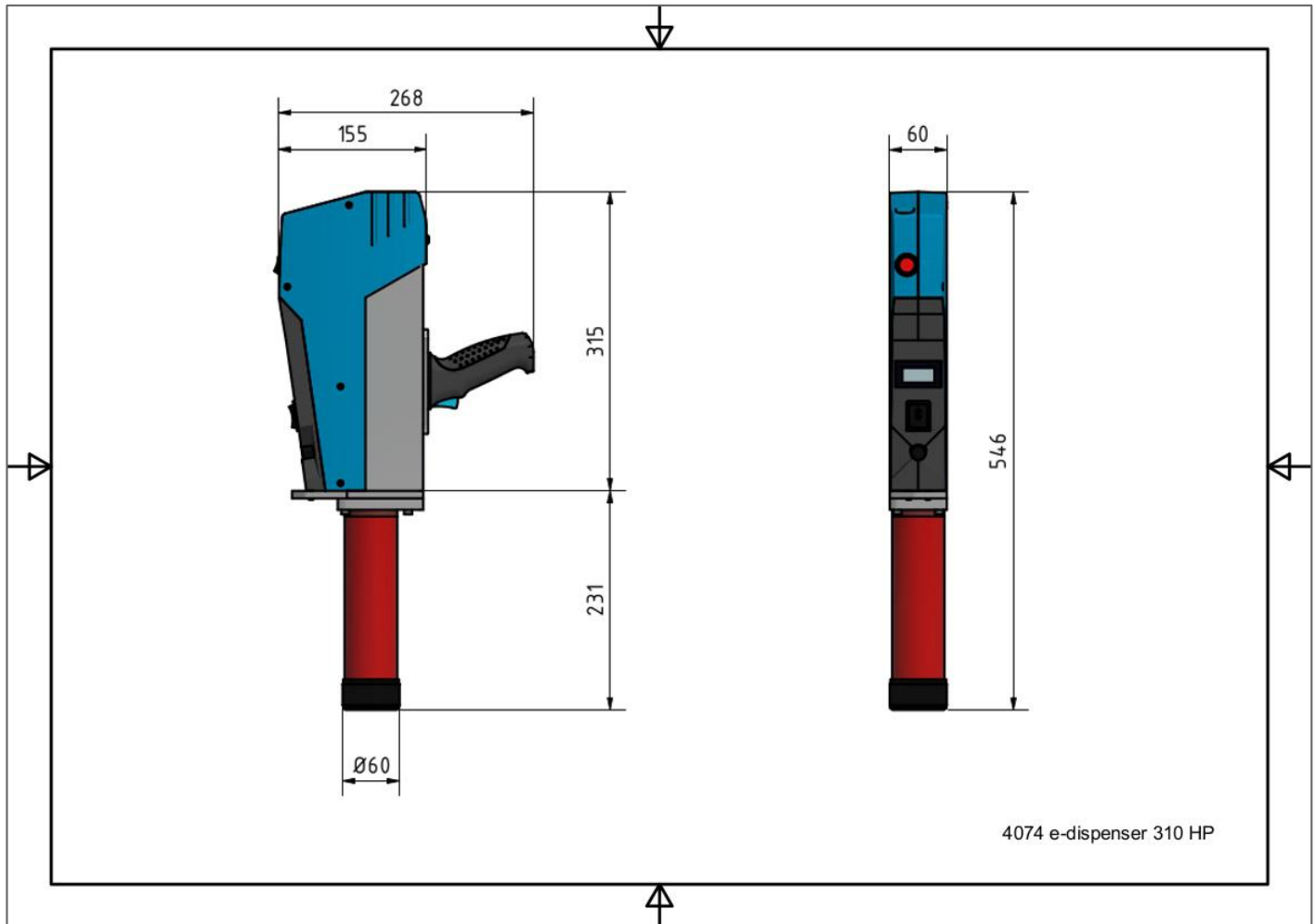
Electrical hand gun for dispensing from 310 ml Euro cartridges.
Drive via servo motor with recirculating ball screw.
The piston moves steadily.

The gun dispenses in volume dispensing and continuous dispensing mode. The material in the cartridge is released via a retraction and thus prevents dripping.

Parameters such as dosing quantity, dosing speed, etc. can be entered via rotary potentiometer and pressure switch.

4074 e-dispenser 310

Dimensional drawing (Dimensions in mm)



Cartridge size (Euro)	310 ml
Dosing accuracy	+/- 0,2 ml (Material depending)
Dosing speed	0,1 – 2 ml/s
Dosing volume min.	0,5 ml
Viscosity	Middle- to high viscous dosing media
5055-1 Accu-Set	5055-11 Accu carrier with beltclip 5055-12 Akku 5,0Ah, 18V 5055-13 Akku-Charger
Dimensions	546 x 268 x 60 mm
Weight	3,6 kg