

# 4096 2k E-dispenser E400



4480 Controller



2410 Stand, big



4472 Foot switch

## Description

Dosing out of 400 ml DUO cartridges.

Drive over gearbox servomotor with ball screw.

Parallel piston movement.

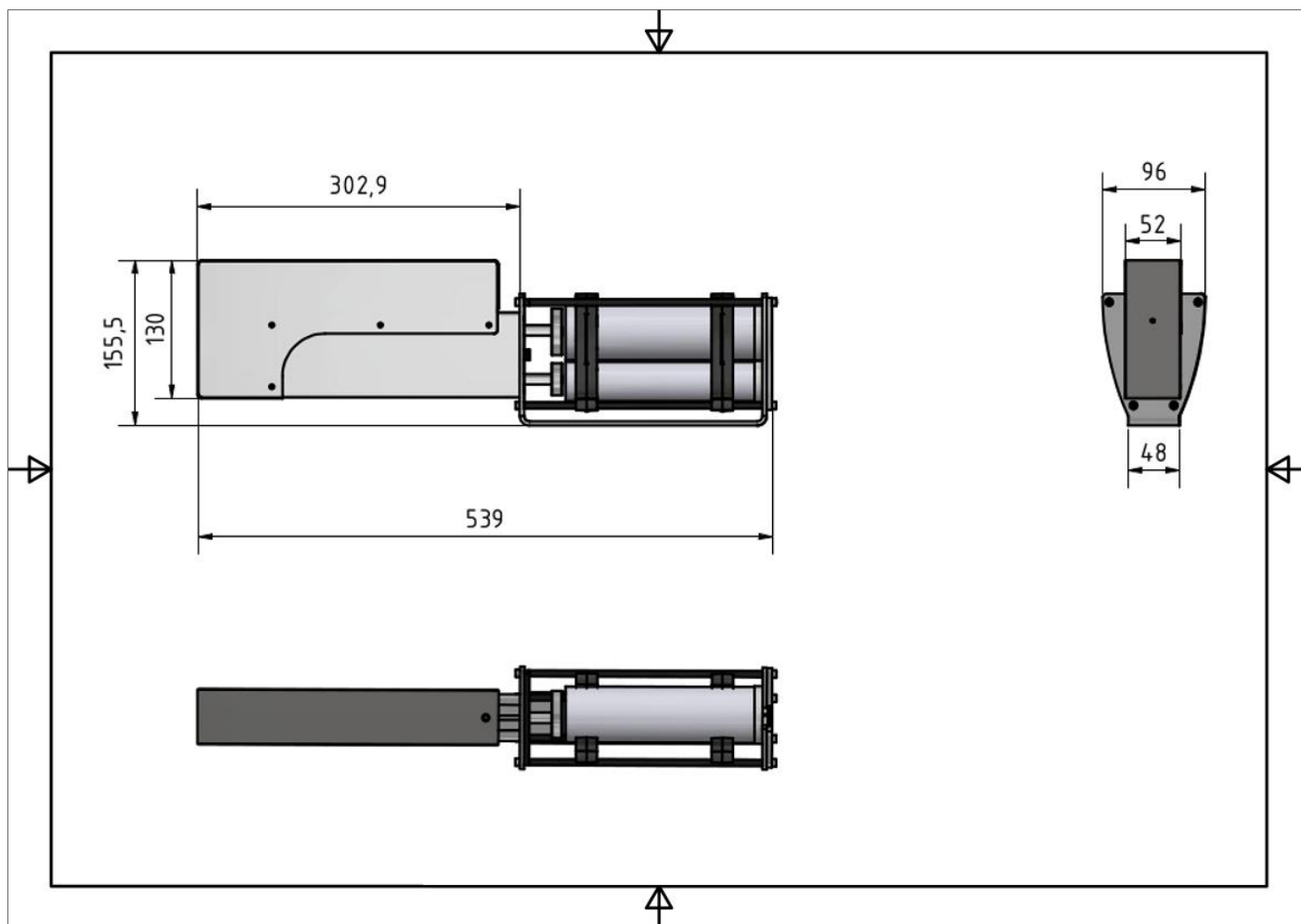
Mixing ratio results from cartridge geometry.

A retreat relaxes the dosing material in the cartridge and thereby prevents dripping.

Adjustable parameters (dosing quantity, dosing speed, etc.) via controller.

# 4096 2k E-dispenser E400

Dimensional drawing (Dimensions in mm)



Cartridge size (DUO)	400 ml
Dosing accuracy	+/- 0,2 ml (Material depending)
Dosing speed	0,1 – 1 ml/s
Dosing volume min.	0,4 ml
Possible mixing ratios	1:1 / 1:2 / 1:10
Viscosity	Nieder- bis hochviskose Dosiermedien
Dimensions	539 x 155,5 x 96 mm
Weight	4,5 kg