

# 9040 Emptying system Grease 400 ml

---



## Description

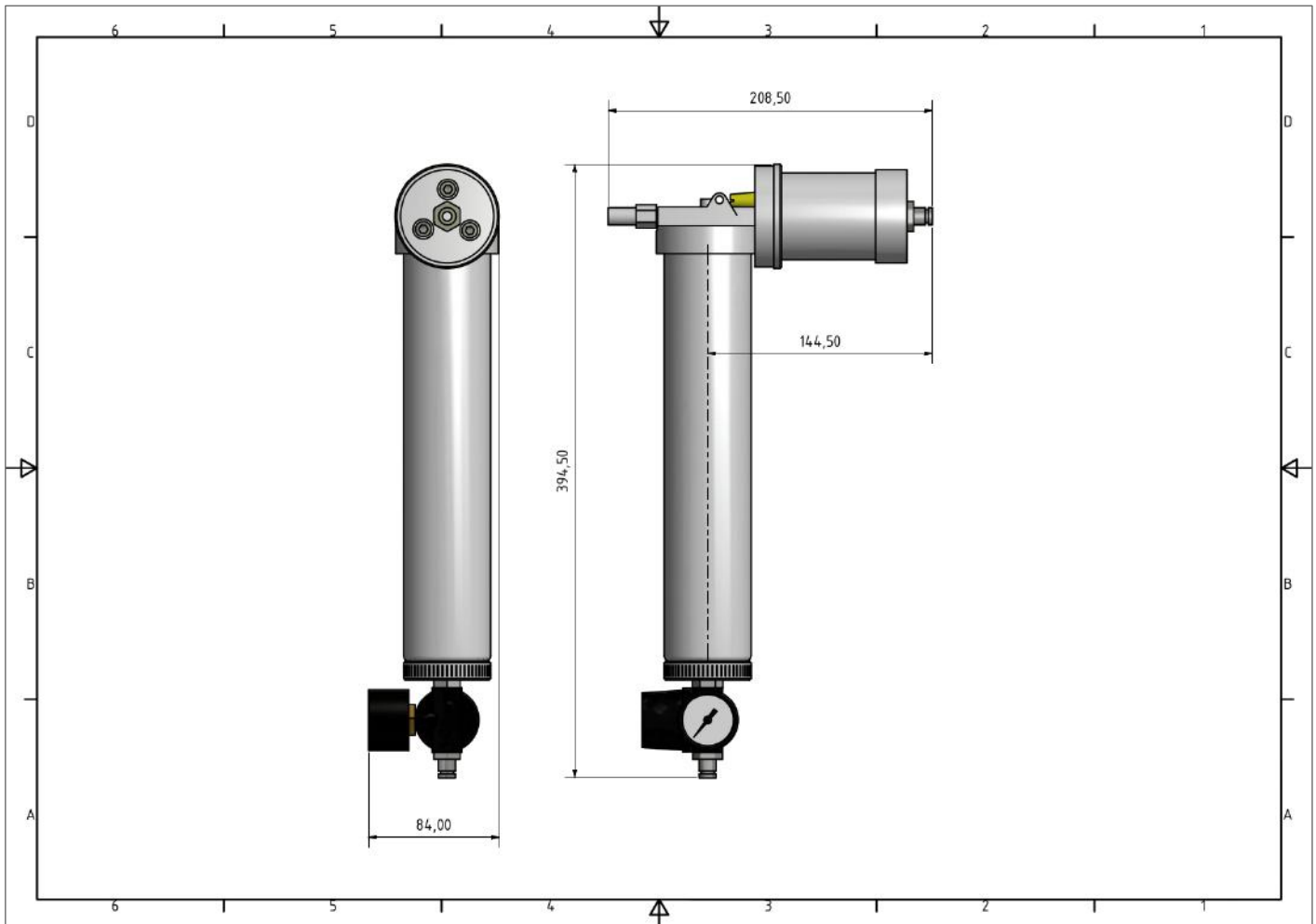
Pneumatically emptying system for Grease-cartridges 400 ml .

Pressure regulation via manometer.

Connection option: e.g. Grease distribution via material tube.

# 9040 Emptying system Grease 400 ml

Dimensional drawing (Dimensions in mm)



Cartridge size	400 ml
Connection options	Tube-connection G1-4
Max. valid pressured air	6 bar
Pressure regulation	Pressure regulator with manometer
Dosing material	Grease
Dimensions	394,5 x 208,5 x 84 mm
Weight	1,5 kg