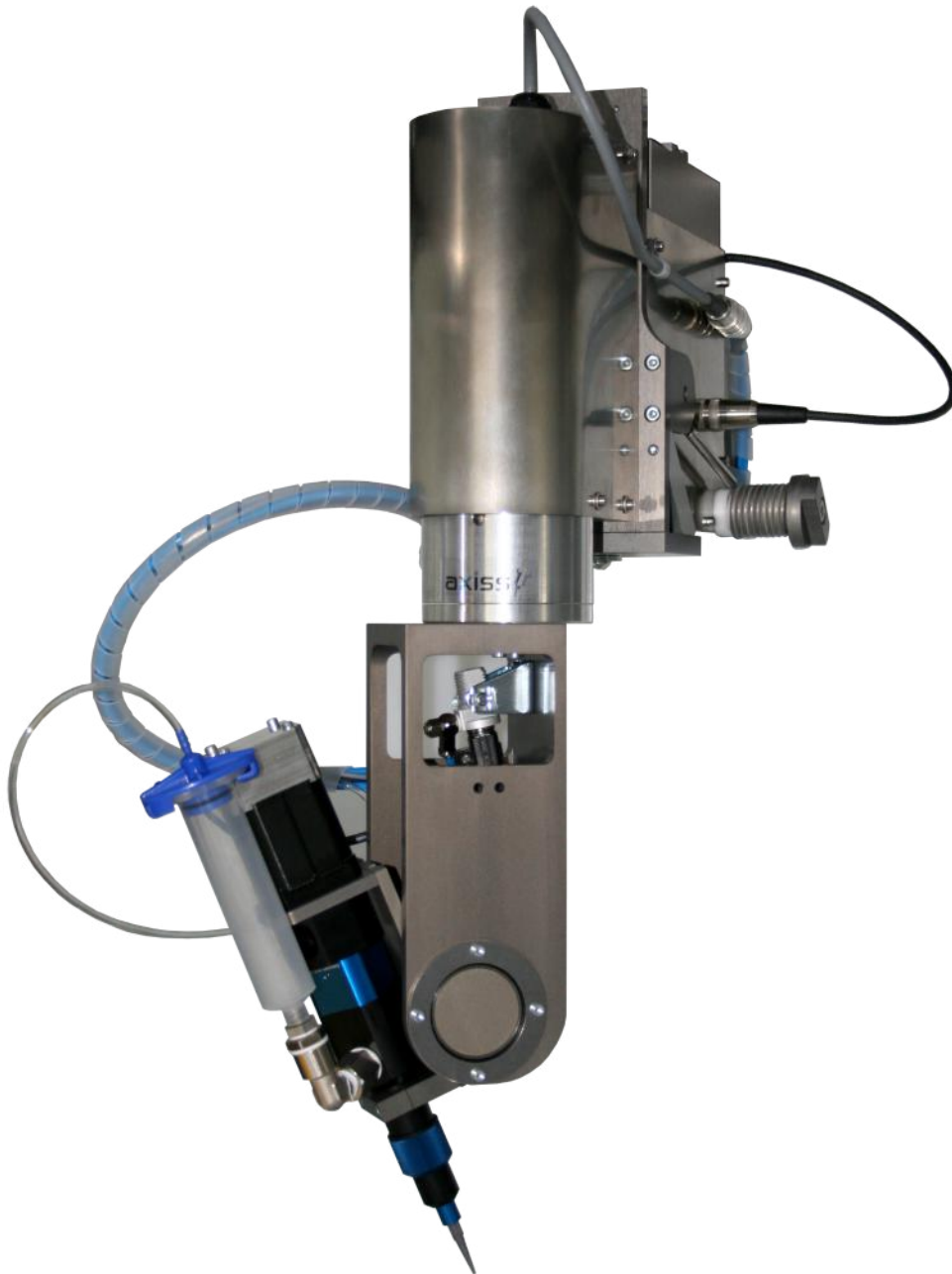


# 1311 Swivel-Rotation axis

---



## Description

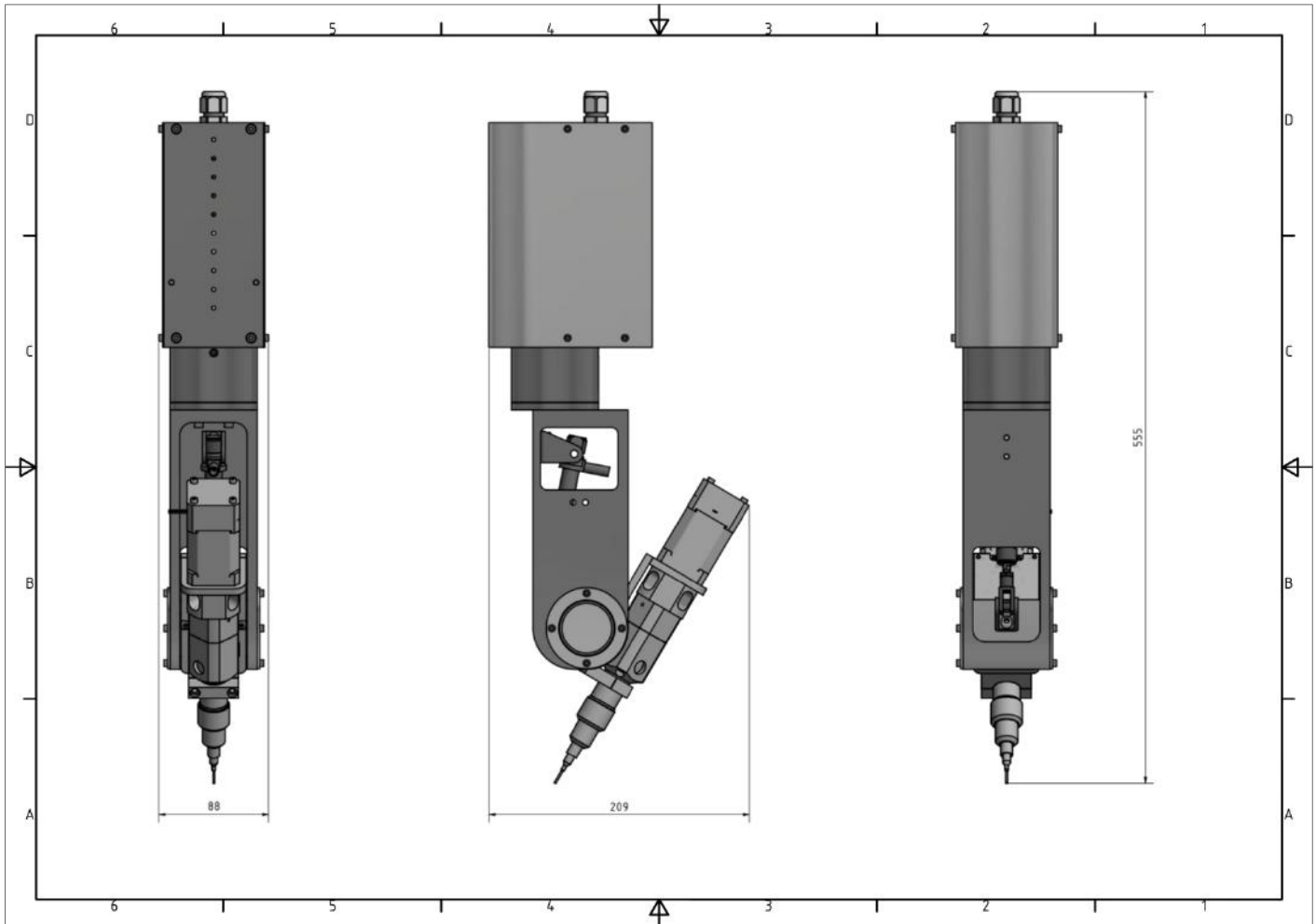
Circular or dot-like application of adhesive and sealing media.

Controlled by Dispensmove Software DiSoft or with external controller.

Circular dosing in an angle up to 359°.

# 1311 Swivel-Rotation axis

Dimensional drawing (Dimensions in mm)



Positioning accuracy	0,18°
Movement speed	1/4 Rotation/second
Pneumatical Swivel setting	0° to 30°
Rotation range	0° to 359°
Workload max.	2 kg
Controller	Via Dispensmove as 4th. axis / with external controller
Dimensions	555 x 88 mm x 209 mm