

4077 *e*-dispenser 50 MA



Adapter:

1:1	4076-11MP
1:2	4076-21MP
1:4	4076-41MP
1:10	4076-101MP



4480 Controller



2400 Stand, small



4472 Foot switch

Description

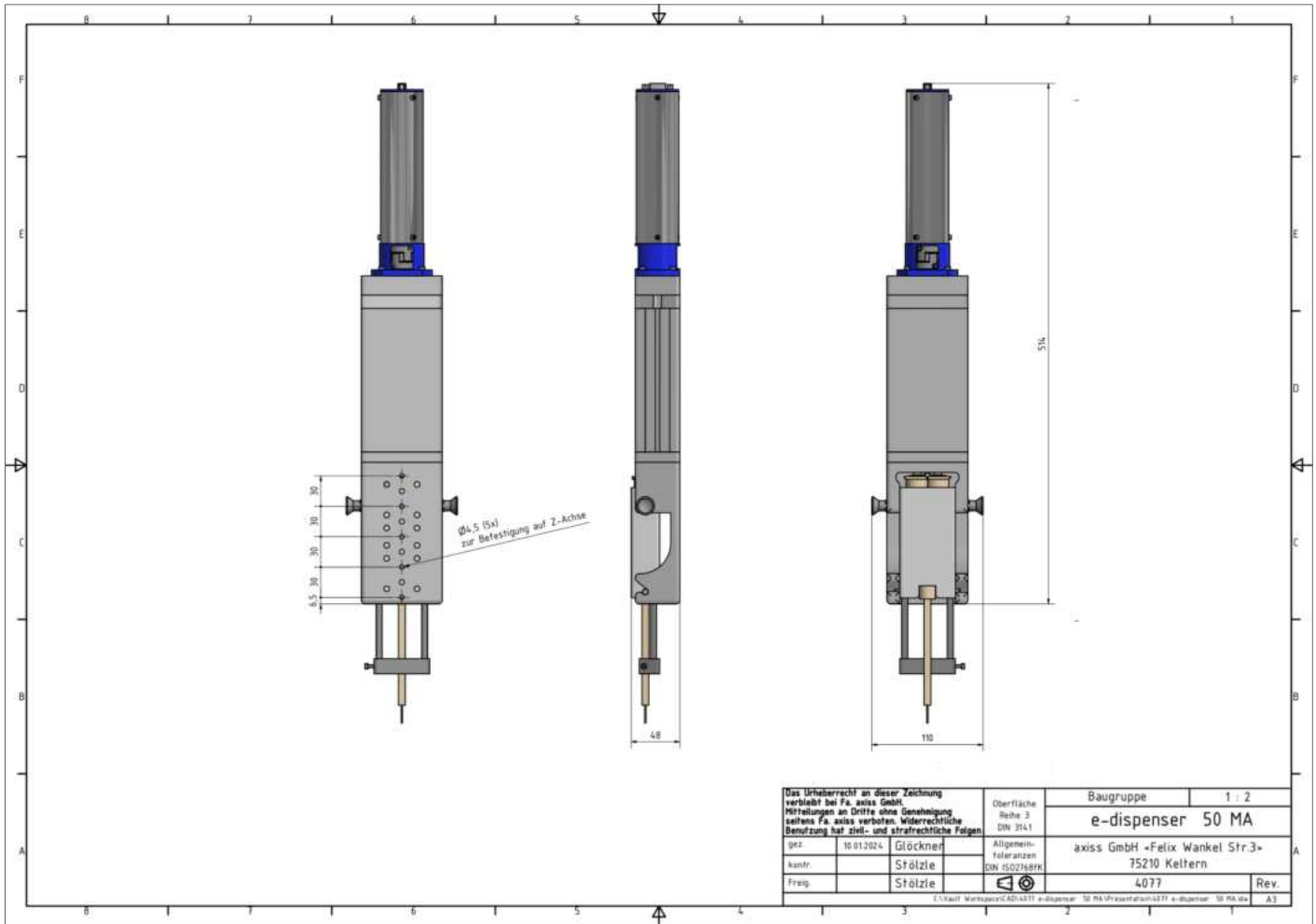
Dosing out of 50 ml DUO cartridges.

Drive via servo motor with recirculating ball screw. Parallel piston movement.
Mixing ratio results from cartridge geometry.
A retraction mechanism relaxes the dosing material in the cartridge and thus prevents dripping.

Adjustable parameters (dosing quantity, dosing speed, etc.) via controller.

4077 e-dispenser 50 MA

Dimensional drawing (Dimensions in mm)



Cartridge size (DUO)	50 ml
Dosing accuracy	+/- 0,2 ml (material depending)
Dosing speed	0,01 – 0,5 ml/s
Dosing volume min.	0,1 ml
Possible mixing ratios	1:1 / 1:2 / 1:4 / 1:10
Viscosity	Low to high viscous dosing media
Dimensions	514 x 110 x 48 mm
Weight	2,6 kg