

4065 1k Cartridge spindle Semco 90-180 ml



4480 Controller



2410 Stand, big



4472 Foot switch

Description

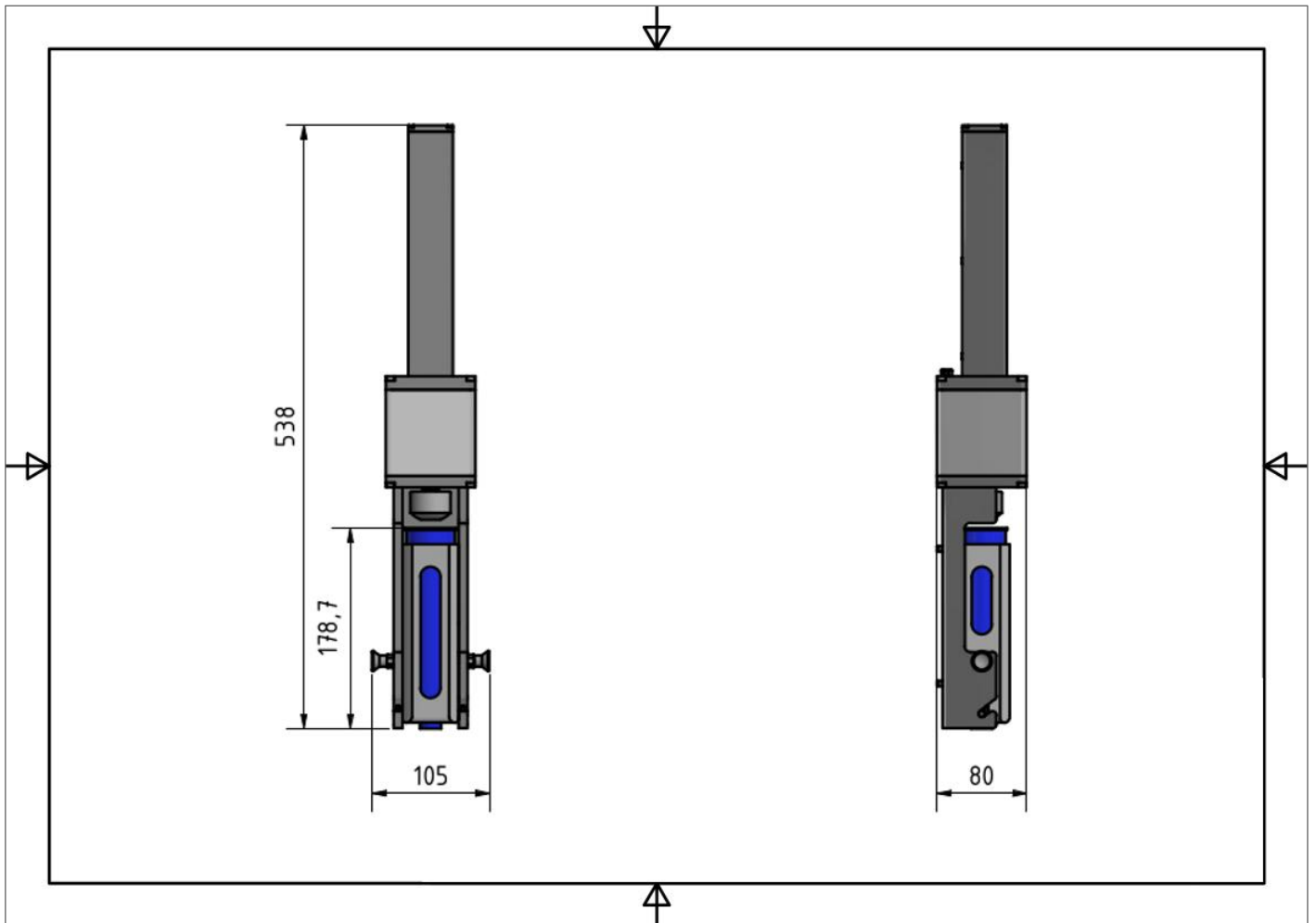
Electrically operated 1k dosing valve. The dosing material is dosed directly from a material cartridge over a spindle and a stepper motor. Cartridge replacement via folding mechanism.

Homogeneous charging of the dosing quantity over the entire cartridge length.
A retreat can be set on the pressure piston, which prevents the material from dripping.

With a controller, dosing volume, dosing speed and further parameters can be set.

4065 1k Cartridge spindle Semco 90-180 ml

Dimensional drawing (Dimensions in mm)



Cartridge size	Semco 90 ml/ 180 ml
Stepper motor ascend	10 x 2 mm
Dosing speed	+/- 0,1 ml (material depending)
Dosing volume min.	0,2 ml
Viscosity	Low to high viscous dosing media
Dimensions	538 x 105 x 80 mm
Weight	3,3 kg