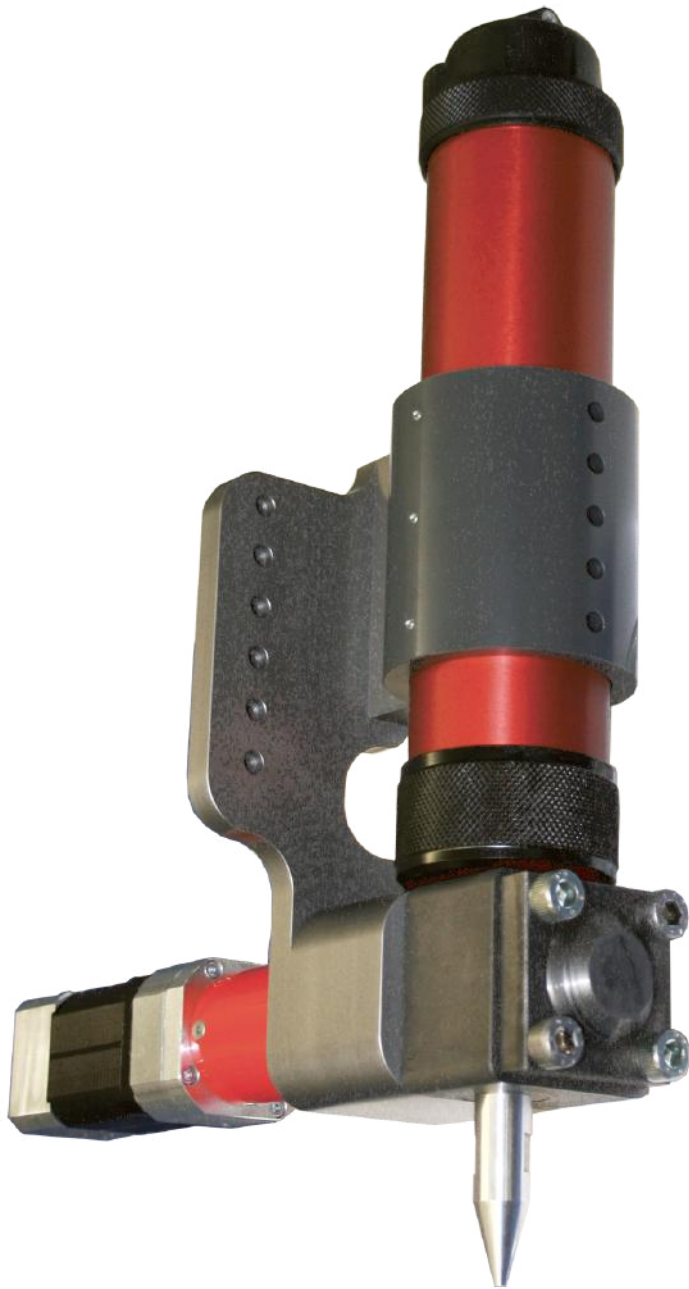


4014 Gear pump 2,32 ml



4480 Controller



9011 Container, pneumatical



9012 / 9050 Container (Tube 600 ml)



9020-9999 Magnetic-Sensor /
7002-0004 Limit-Sensor

Description

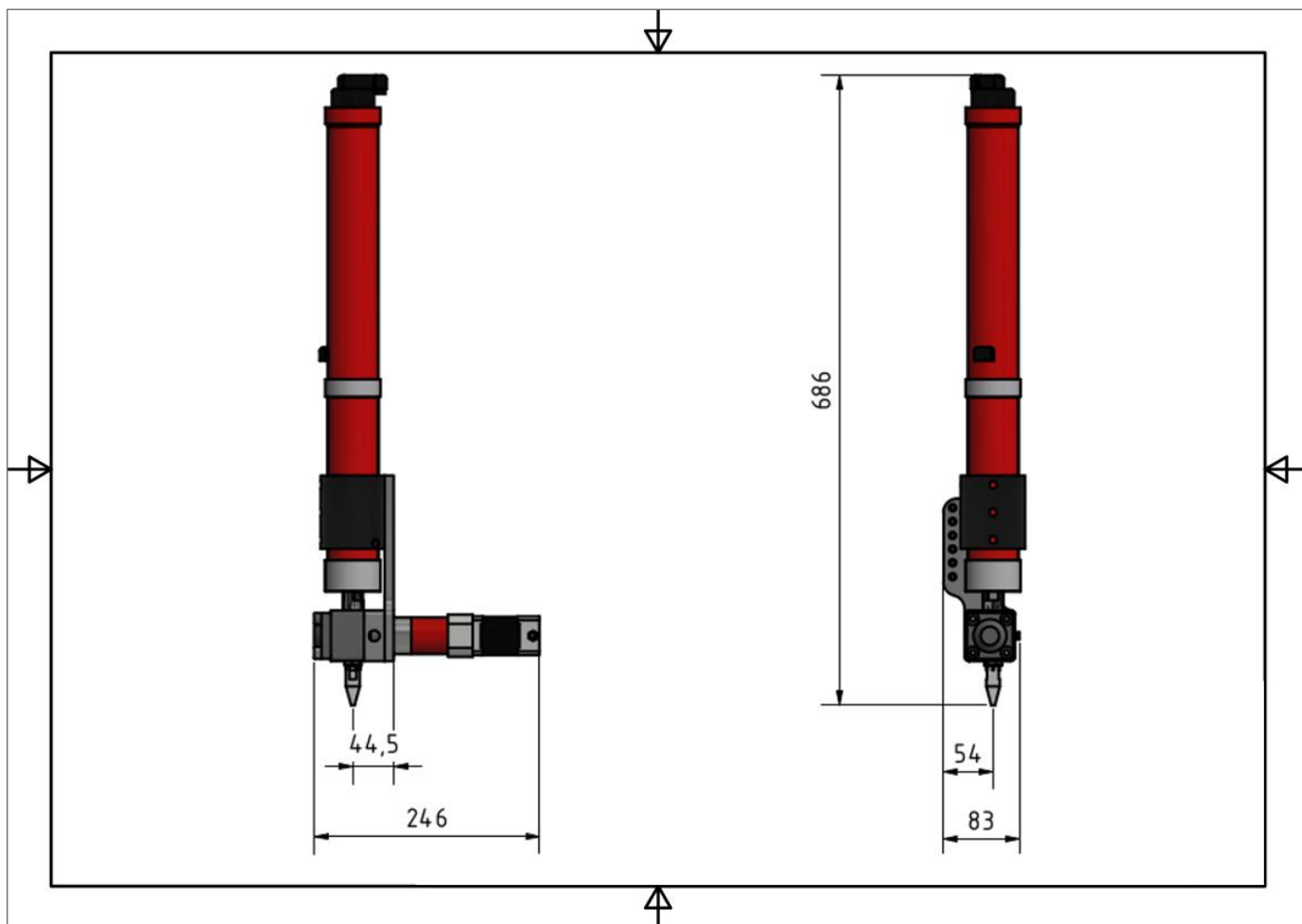
Electrical volume dosing. The flow rate can be set firmly.

Flexible quantity setting. The dosage takes place evenly and independently of the filling quantity.

The volume-related dosage achieves high process reliability.

4014 Gear pump 2,32 ml

Dimensional drawing (Dimensions in mm)



Dosing volume	2,32 cm ³ / Rot.
Dosing accuracy	+/- 0,04 ml (material depending)
Viscosity	Middle to high viscous dosing media
Max. permitted airpressure in container	6 bar
Parameter-Programming	Machine-Software or controller
External start	Via potential-free closer
Output	Volume display and signal „Cartridge empty“
Process security	Dosage takes place evenly and independent of the filling quantity / Steady material flow