

4054 2k Dosing valve E200 Heating



4480 Controller



2400 Stand. small



4472 Foot switch



4500 Heating control device

Description

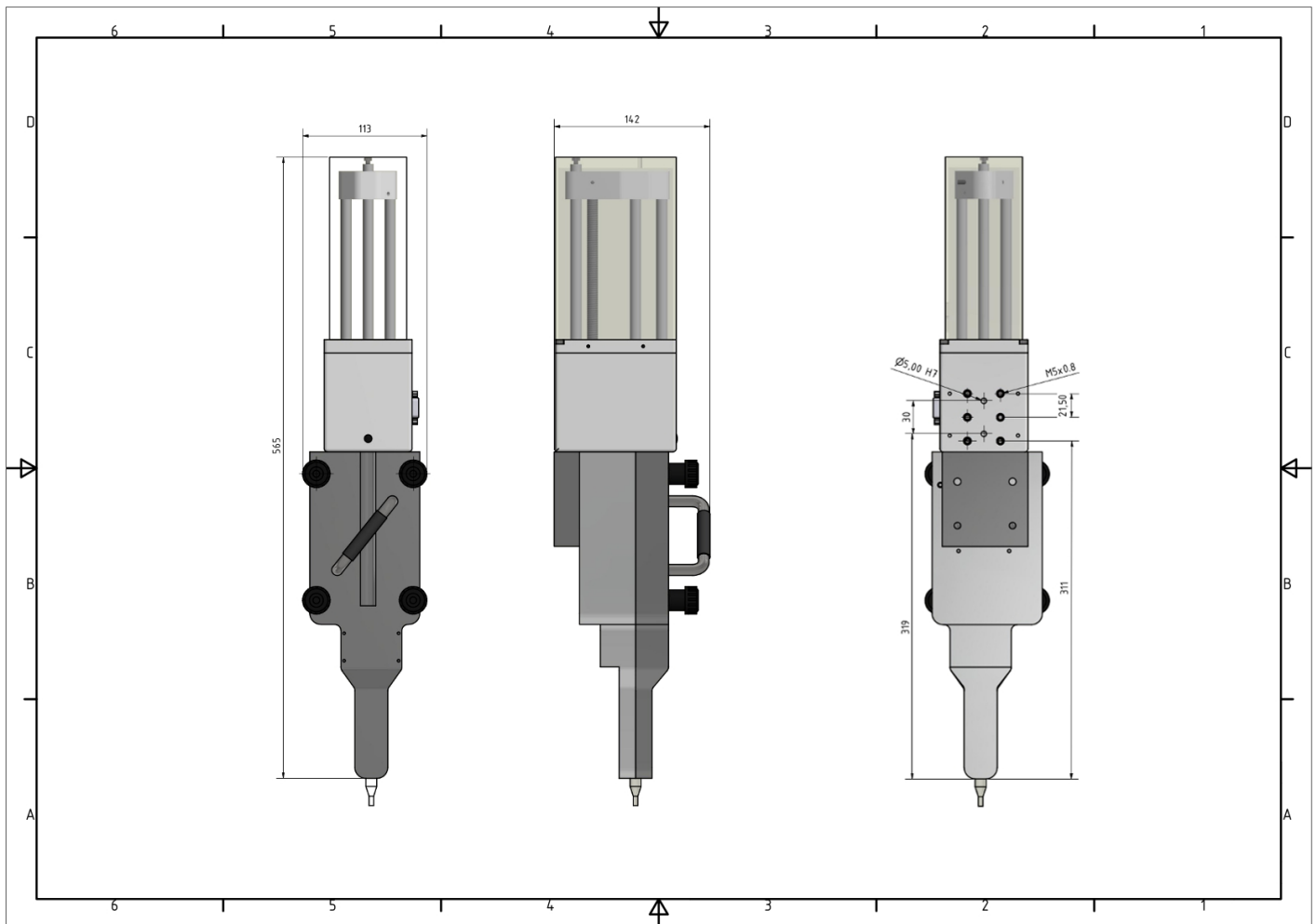
Electronically precise 2K dosage with heating for applying two-component media. The integrated heating block heats the mixing tube to a maximum of 80 ° C and thus improves the dosingability and the demolition behavior of the medium. With the heating control device index and actual values of the temperature can be set and displayed.

The spindle motor presses component A and B parallelly out via guided linear rods. With a retreat, the material is eased in the cartridge and thereby prevents dripping.

With the controller, parameters such as dosing quantity, dosing speed, etc. can be set .

4054 2k Dosing valve E200 Heating

Dimensional drawing (Dimensions in mm)



Cartridge size (DUO)	200 ml
Dosing accuracy	+/- 0,05 ml (Material depending)
Dosing speed	0,05 – 1,0 ml/s
Dosing volume min.	0,1 ml
Possible mixing ratios	1:1 / 1:2 / 1:4
Viscosity	Low to high viscous dosing media
Heating block	Heatable up to 80° C
Dimensions	565 x 113 x 142 mm
Weight	4,5 kg