

# 4029 1k Catridge spindle valve 1ml



4480 Controller



2400 Stand, small



4472 Foot switch

## Description

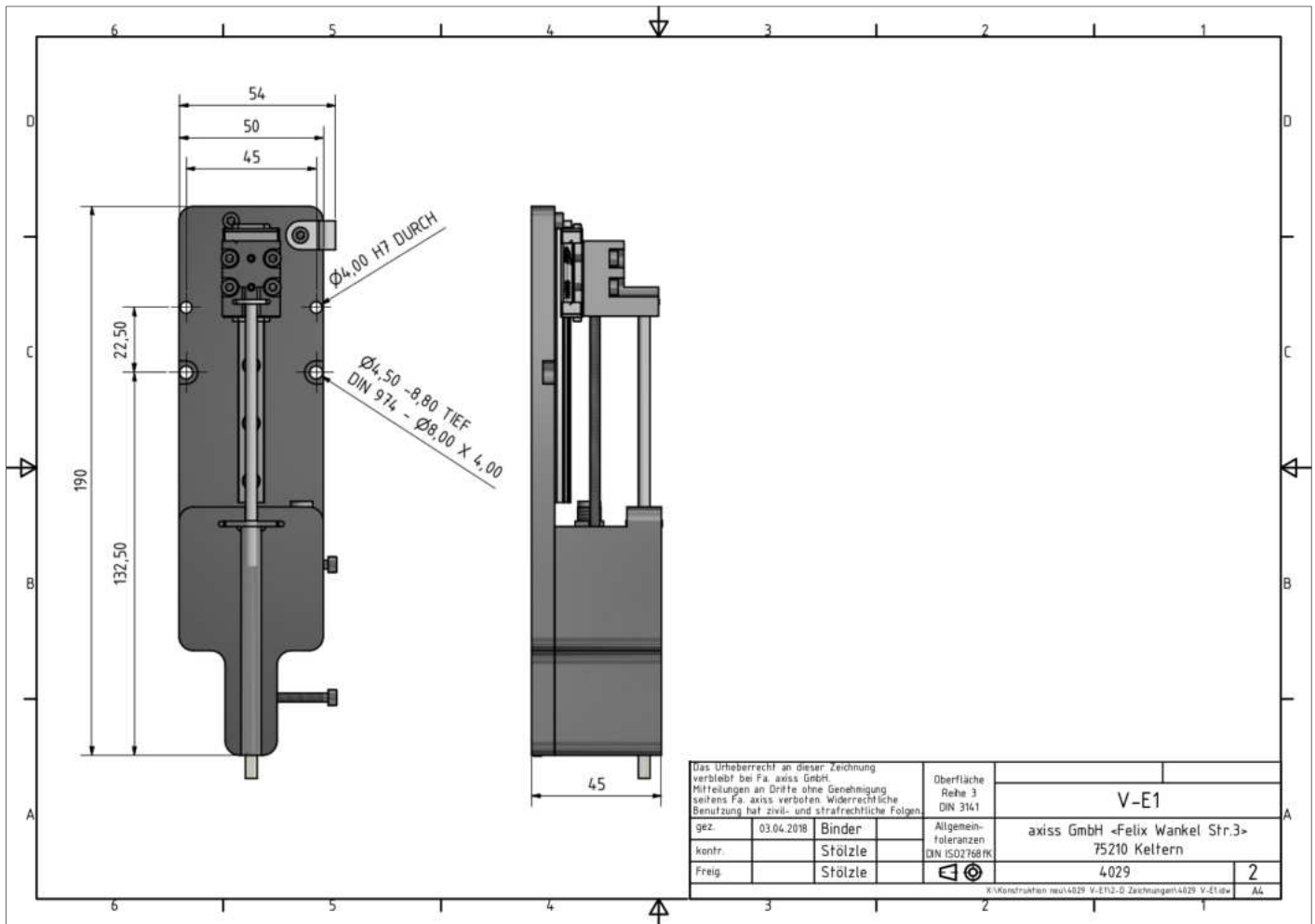
Electrically operated 1k dosing valve. The dosing material is dispensed directly from a 1 ml dosing syringe via a spindle and a stepper motor. Syringe change via knurled screws.

Homogeneous delivery of the dosing quantity over the entire length of the syringe.

The dosing quantity, speed and other parameters can be set via the control unit.

# 4029 1k Catridge spindle valve 1ml

Dimensional drawing (Dimensions in mm)



Dosing syringe	1 ml
Spindle motor gradient	10 x 2 mm
Dosing accuracy	+/- 0,01 ml (material depending)
Dosiervolumen min.	0,02 ml
Viscosity	Max. 30.000 mPas
Dimensions	190 x 54 x 45 mm
Weight	500 g