

4012 Gear pump 2,3 ml with heating



Description

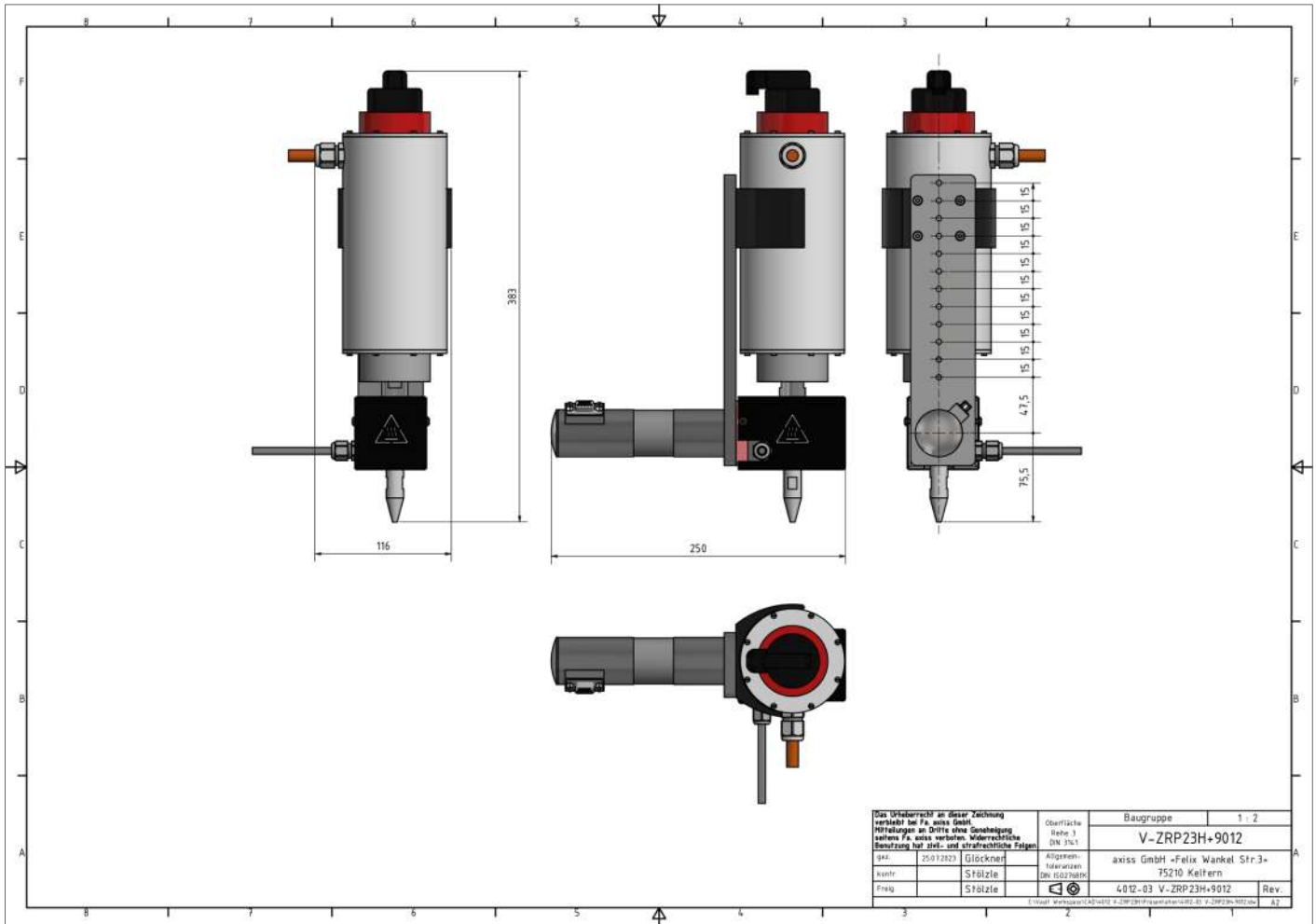
Electric volume dosing via heated gear pump. Dosing takes place evenly and independently of the filling quantity of the cartridge.

The pump has one heater each for the cartridge container and the pump head. The heating lowers the viscosity of the dispensing material and achieves better dosing.

Heatable media can be dosed cleanly and easily up to 80° C.

4012 Gear pump 2,3 ml with heating

Dimensional drawing (Dimensions in mm)



Dosing volume	2,32 cm ³ / rotation
Viscosity	Medium to high viscosity dosing media
Max. permitted air pressure in the container	6 bar
Heating temperature	Max. 80° C
Parameter-Programming	Software or Controller
External Start	Via potential-free NO contact
Output-Display	Quantity display and "Cartridge empty" signal
Process reliability	Dosing takes place steadily and independently of the filling quantity of the cartridge / Steady material flow