

4094 e-dispenser 2x290



5056-1 Transport case



5055-1 Accu-Set 5,0 Ah, 18V

Description

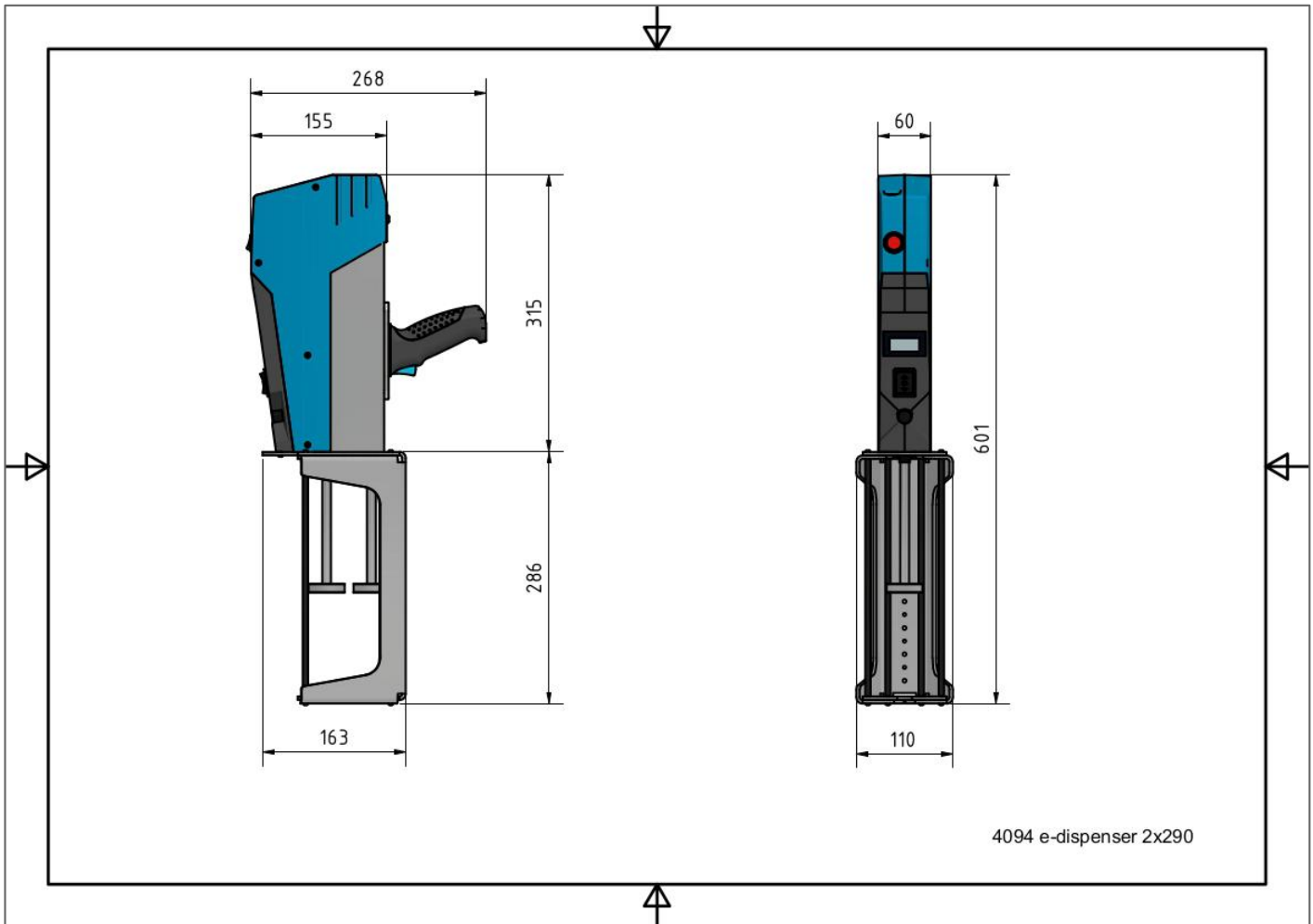
Electrical hand gun for dispensing from 2 x 290 ml cartridges.
Drive via servo motor with recirculating ball screw.
The pistons move parallel to each other. The mixing ratio is 1:1

The gun dispenses in volume dispensing and continuous dispensing mode. The material in the cartridge is released via a retraction and thus prevents dripping.

Parameters such as dosing quantity, dosing speed, etc. can be entered via rotary potentiometer and pressure switch.

4094 e-dispenser 2x290

Dimensional drawing (Dimensions in mm)



Cartridge size (Euro)	2 x 290 ml
Dosing accuracy	+/- 0,2 ml (Material depending)
Dosing speed	0,1 – 2 ml/s
Dosing volume min.	0,5 ml
Possible mixing ratios	1:1
Viscosity	Low- to high viscous dosing media
5055-1 Accu-Set	5055-11 Accu carrier with beltclip 5055-12 Accu 5,0Ah, 18V 5055-13 Accu-Charger
Dimensions	601 x 268 x 110 mm
Weight	4 kg