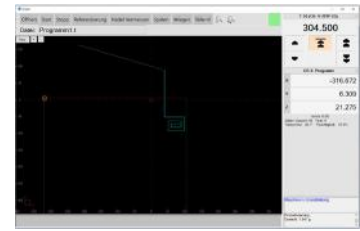


# Proxima P3



0002 DiSoft



1701 Interface-Card



1523 Needle sensor



2510 Purging unit

## Description

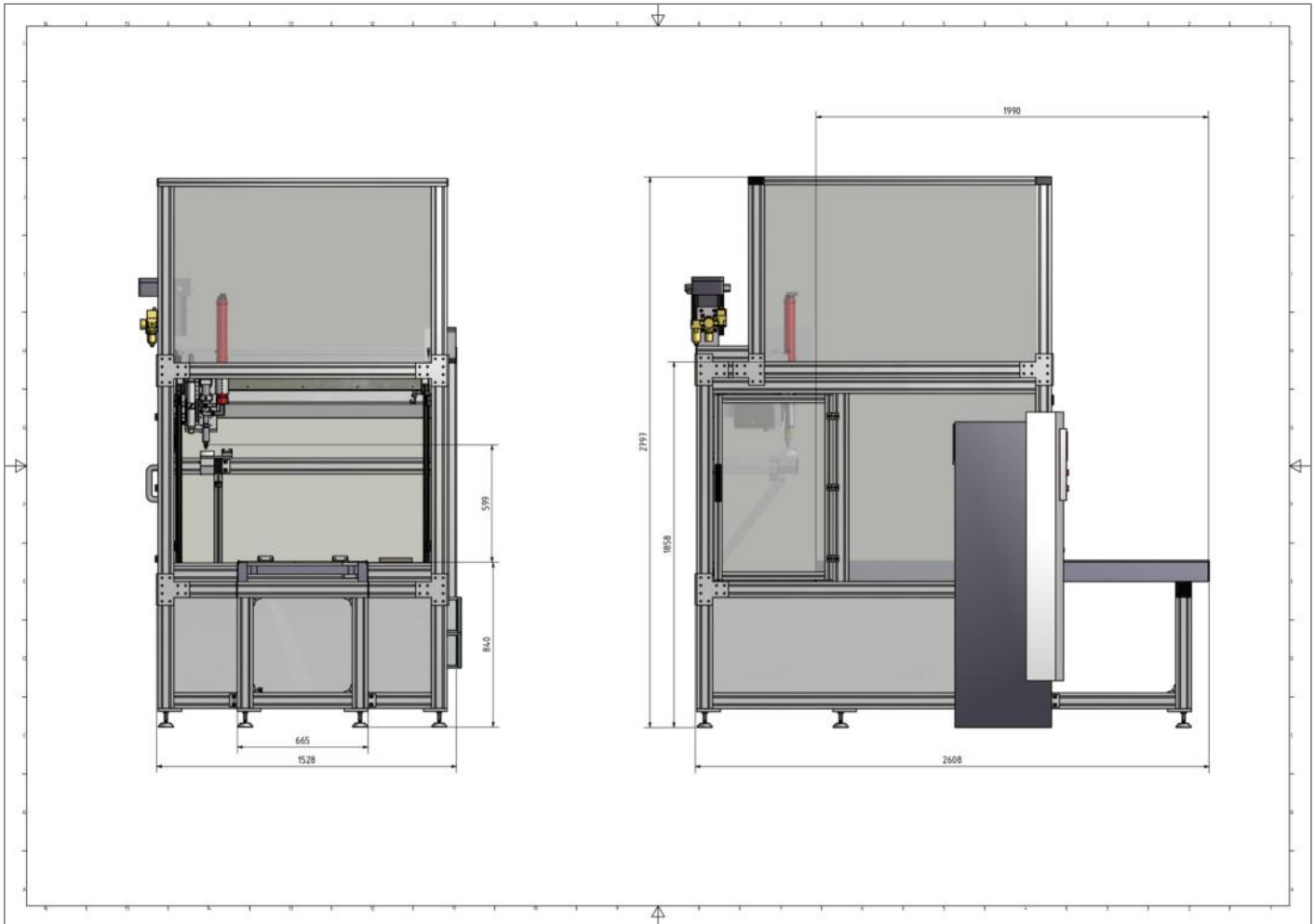
3-axis system with a travel range of (x) 1000 and (y) 1000 mm (z) 200 mm.

Application example: Assembly of dosing valve and plasma head on multi-part Z-axis slot. Integration of the plasma control. Heavy-load transport system with pneumatic lifting unit (Bosch)

Macrolone cladding on the side, rear and top. Service door at the back. Control via DiSoft software.

# Proxima P3

Dimensional drawing (Dimensions in mm)



Interpolation	3D-Interpolation
Position accuracy	X, Y = 0,1 mm, Z=0,05 mm
Movement speed	Up to 200 mm/s
Possible axis work load	Up to 7 kg
Programming	Software „DiSoft“
Input / Output	12 Inputs, 12 Outputs
Working range	(x)1000 (y)1000 (z)200 mm
Dimensions	1528 x 2797 x 2608 mm (Customer-specific)
Weight	200 kg (Depending on equipment)