

4150 1k Dispenser 0,14 ml



4480 Controller



2400 Stand. small



4472 Foot-switch

Description

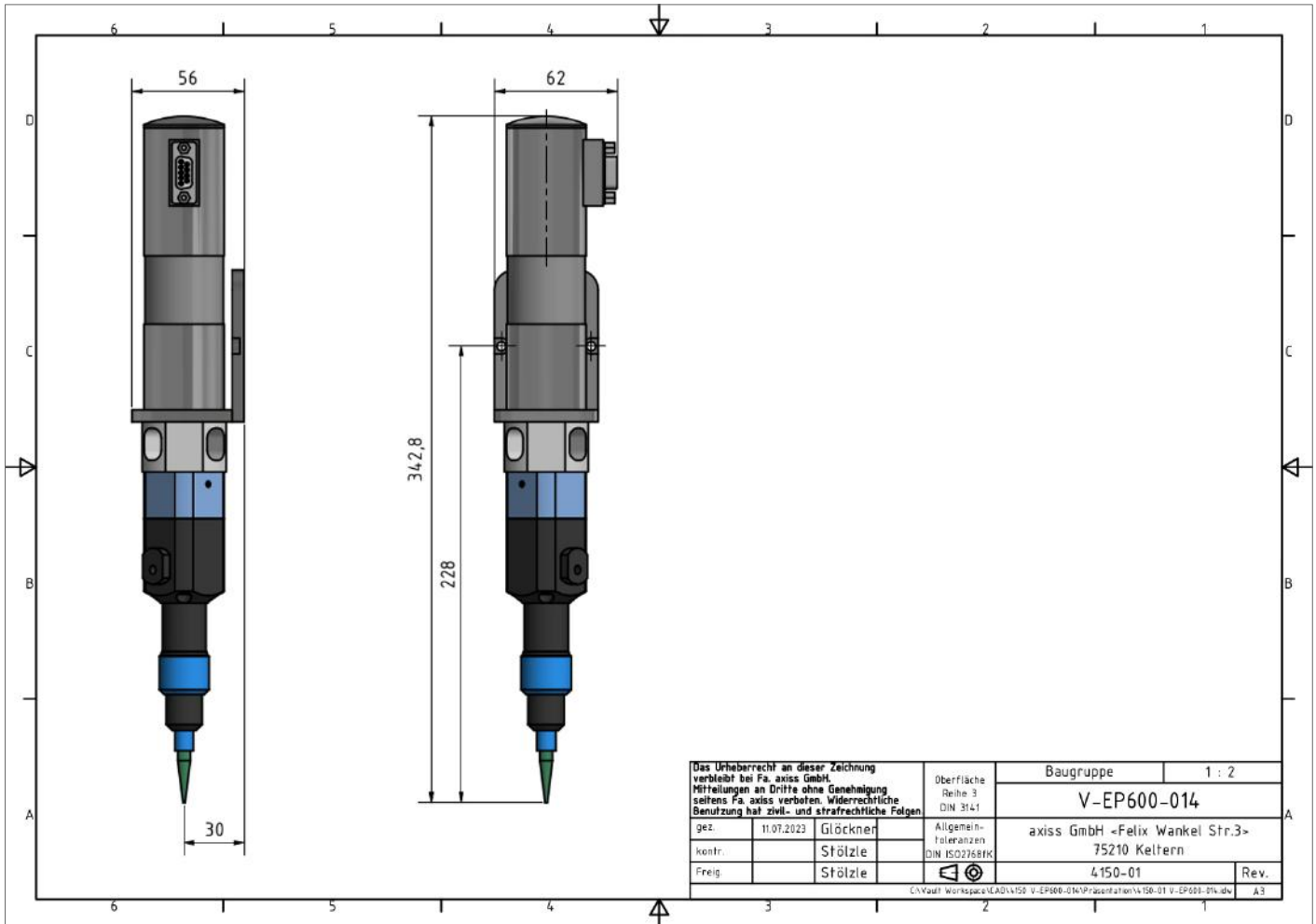
Volume dosing of low to middle viscous dosing media via eccentric screw.

Material protecting processing with a volume accuracy of about 1% (material depending).

Suitable for dosing UV-material, Silicones, Clues, Greases, but also abrasive media.

4150 1k Dispenser 0,14 ml

Dimensional drawing (Dimensions in mm)



Processing volume	0,14 ml / rotation
Dosing accuracy	+/- 1% (material depending)
Dosing speed	0,01 - 0,14 ml/s
Dosing volume min.	0,015 ml
Viscosity	Low to middle viscous dosing media
Dimensions	334 x 62 x 56 mm
Weight	1,1 kg