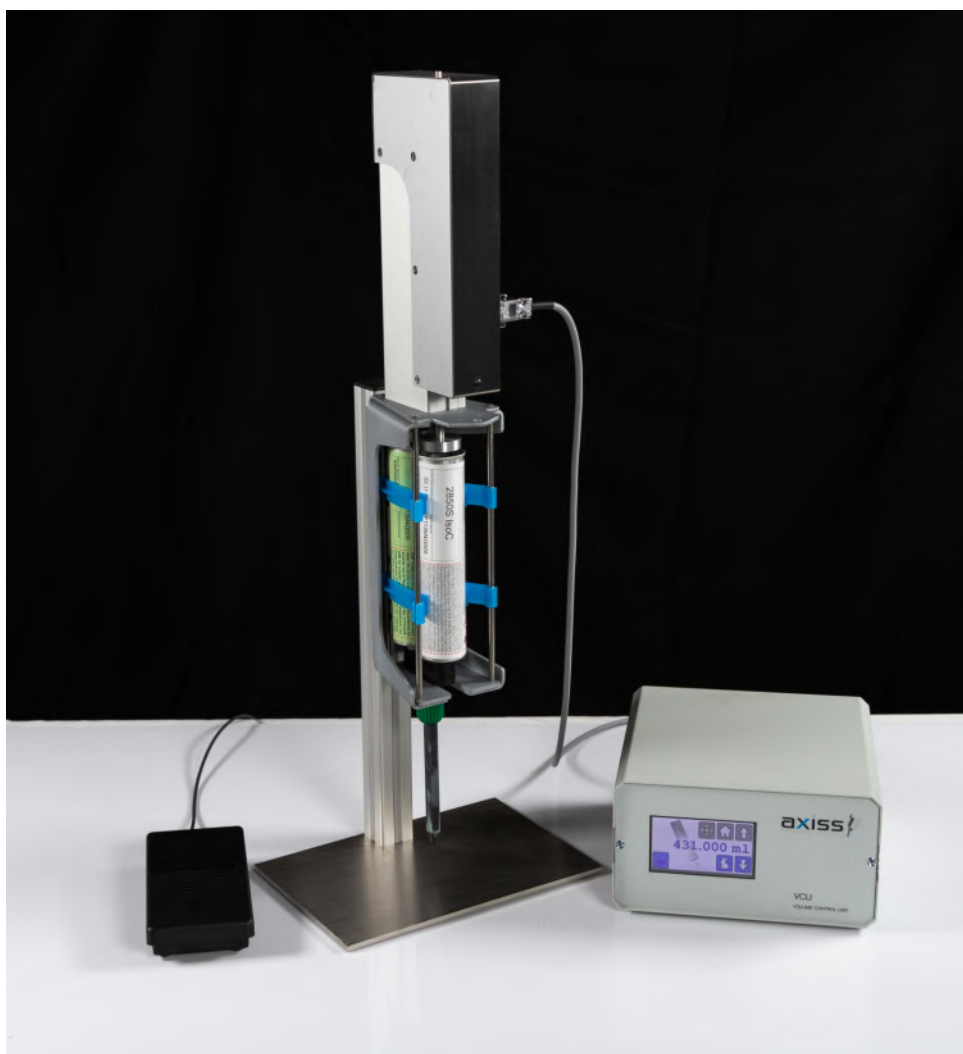


# 4097 *e*-dispenser 2x290



4480 Controller



2410 Stand, big



4472 Foot switch

## Description

Dosing out of 290 ml Euro cartridges.

Drive via servomotor with recirculating ball screw.

Parallel piston movement.

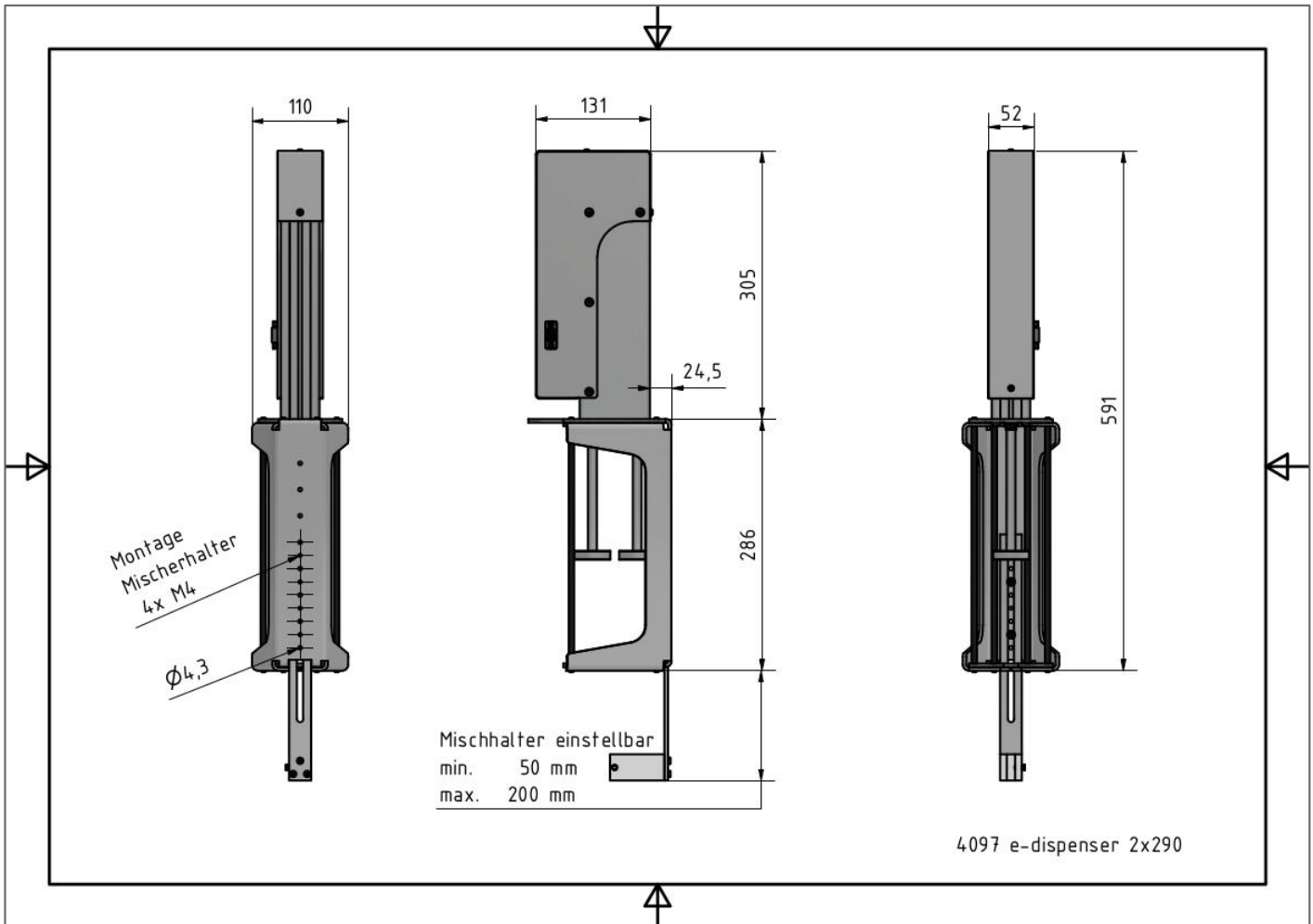
Mixing ratio is 1:1

A retreat relaxes the dosing material in the cartridge and thereby prevents dripping.

Adjustable parameters (dosing quantity, dosing speed, etc.) via controller.

# 4097 e-dispenser 2x290

Dimensional drawing (Dimensions in mm)



Cartridge size (Euro)	2 x 290 ml
Dosing accuracy	+/- 0,2 ml (material depending)
Dosing speed	0,1 – 2 ml/s
Dosing volume min.	0,5 ml
Possible mixing ratios	1:1
Viscosity	Low- to high viscous dosing media
Dimensions	591 x 131 x 110 mm
Weight	4,2 kg