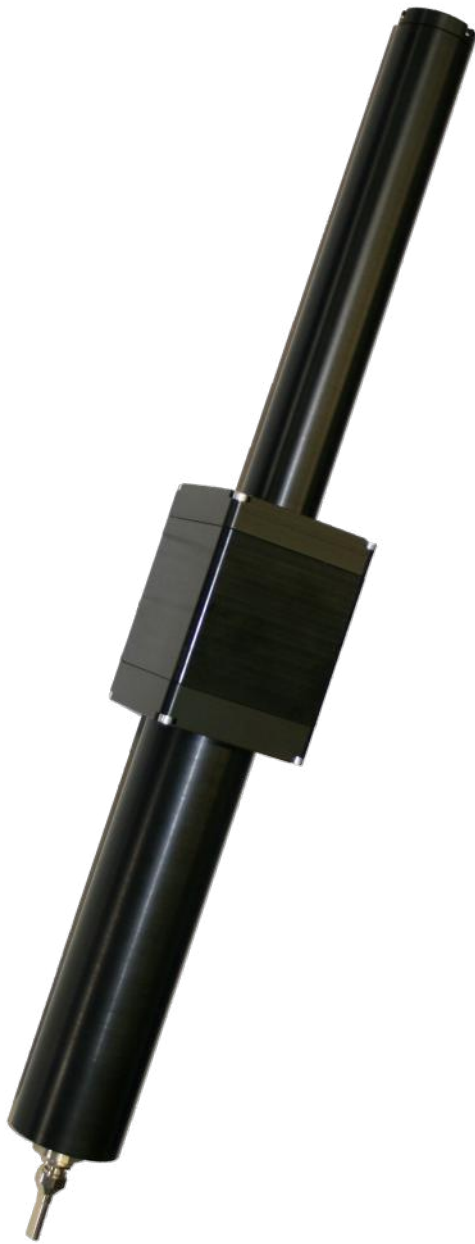


4070 1k Cartridge spindle Euro 310 ml



4480 Controller



2400 Stand, small



4472 Foot-switch

Description

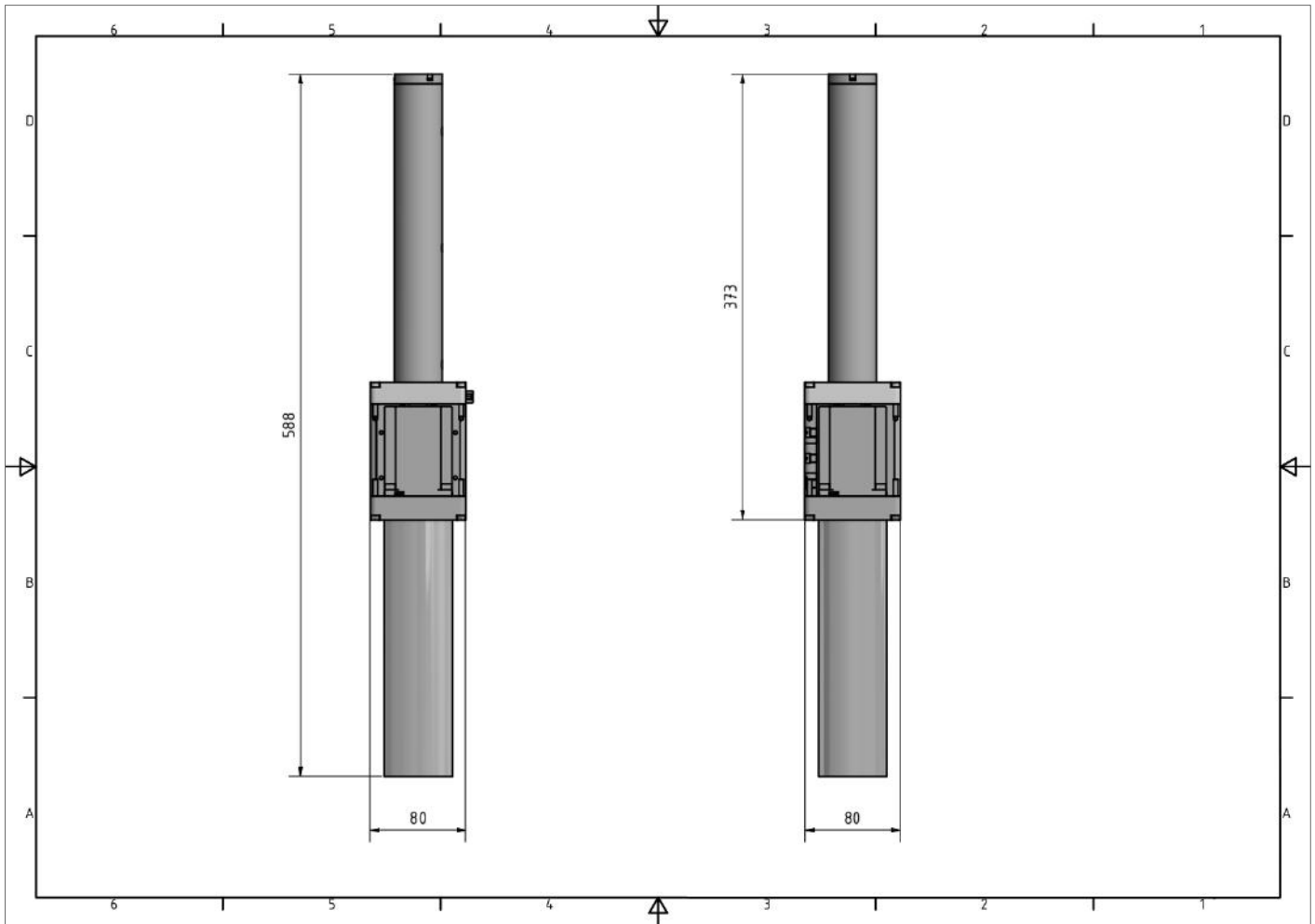
Electrically powered 1k dosing valve. The dosing material is applied directly from a material cartridge over a spindle and a stepper motor.

Homogeneous promotion of the dosing amount over the entire cartridge length.
At the pressure piston, a retreat can be adjusted, which prevents a dripping of the material.

With a controller dosage quantity, speed and other parameters can be set.

4070 1k Cartridge spindle Euro 310 ml

Dimensional drawing (Dimensions in mm)



Cartridge size	EURO 310 ml
Spindle motor ascend	10 x 2 mm
Dosing accuracy	+/- 0,1 ml (material depending)
Dosing volume min.	0,5 ml
Viscosity	Low to high viscous dosing media
Dimension	588 x 80 x 80 mm / Cartridge husk Ø 58 mm
Weight	3 kg