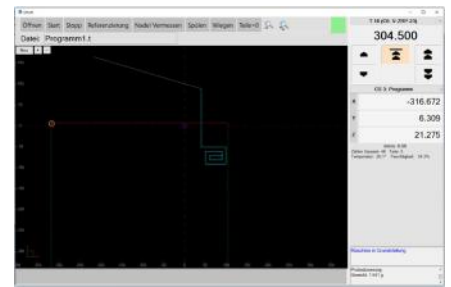
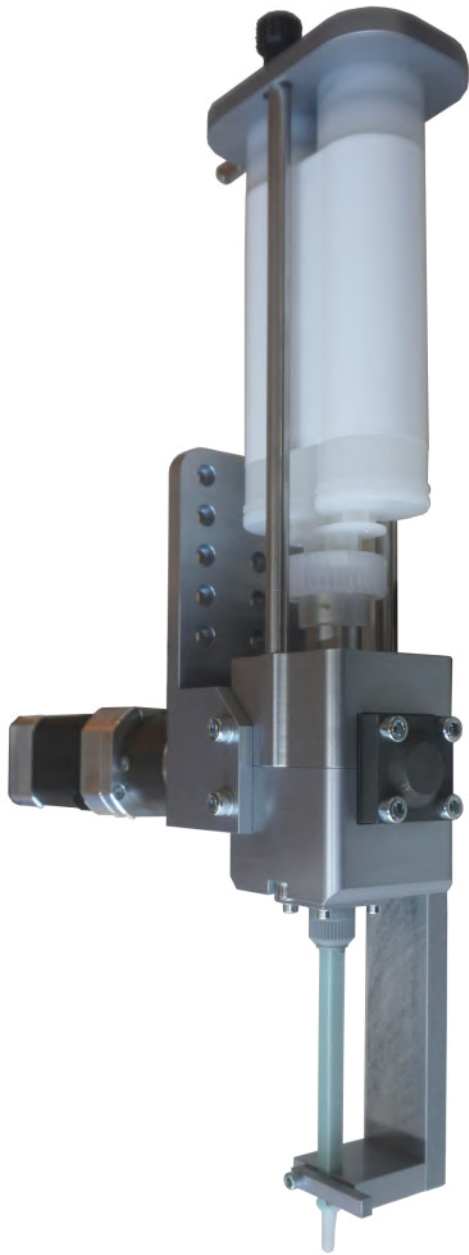


# 4300 2k Gear pump 200/400 ml



0002 DiSoft Dosing software



4480 Controller



4472 Foot switch

## Description

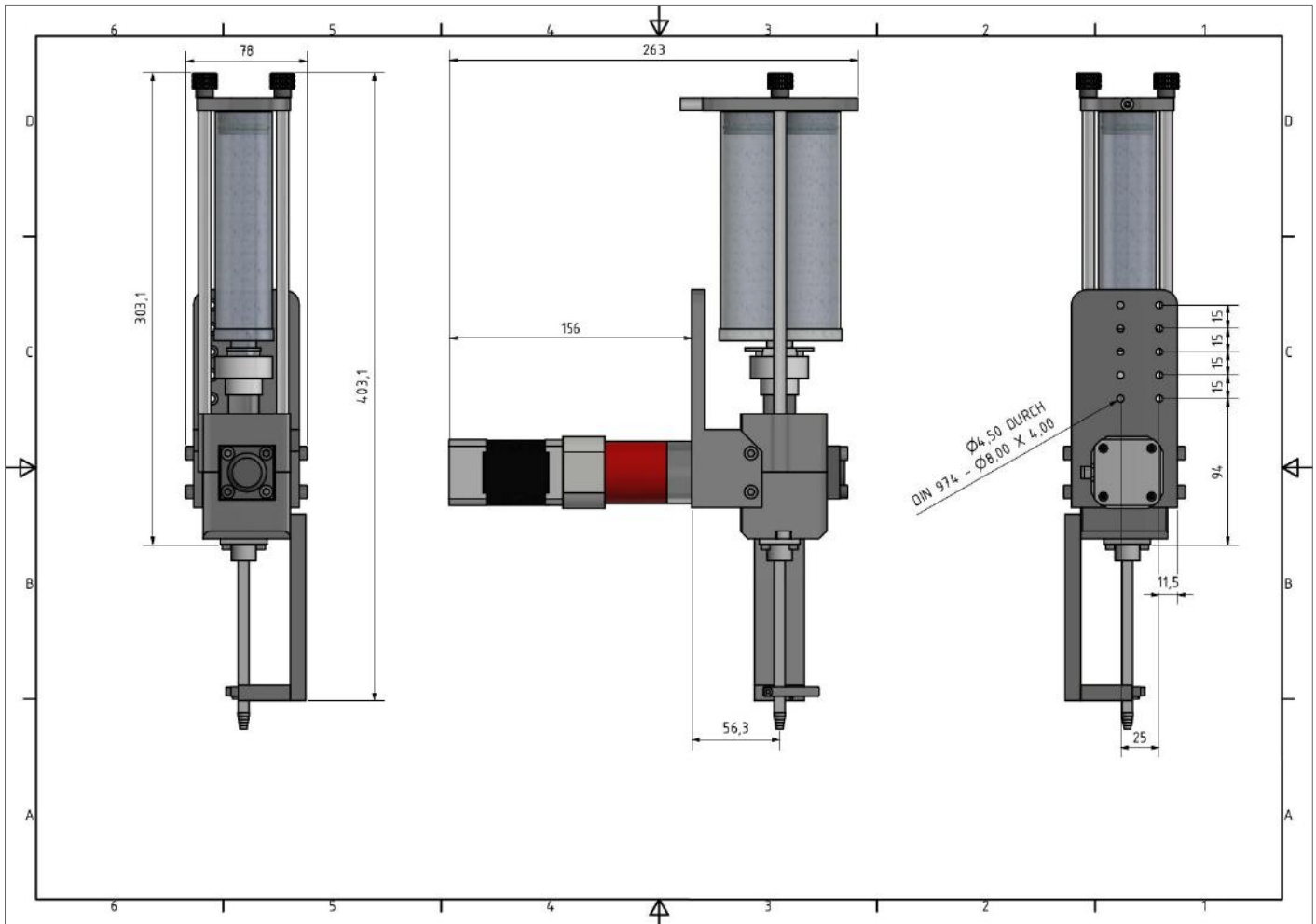
Volume-precision application from dosing media via 2K gear pump from 200 ml or 400 ml of double cartridges.

Two separate gear pumps are driven by a connecting shaft with only one motor.  
The mixing ratio is defined by the pump size.

The flow rate can be set. A predetermined amount is dosed, then the gear pump switches off independently. The pump can also be switched on and off via an external switch.

# 4300 2k Gear pump 200/400 ml

Dimensional drawing (Dimensions in mm)



Cartridge size (DUO)	200 ml / 400 ml
Viscosity	Low to high viscous dosing media
Material feed pressure	0-6 bar
External start	Potential free Closer
Possible mixing ratios and total volume per second and revolution	1:1 = 1,2 ml/R
Viskosität	1:2 = 0,9 ml/R
Dimensions	403,1 x 78 x 263 mm
Weight	3,5 kg