

# 7025 Barcode-Scanner

---



## Description

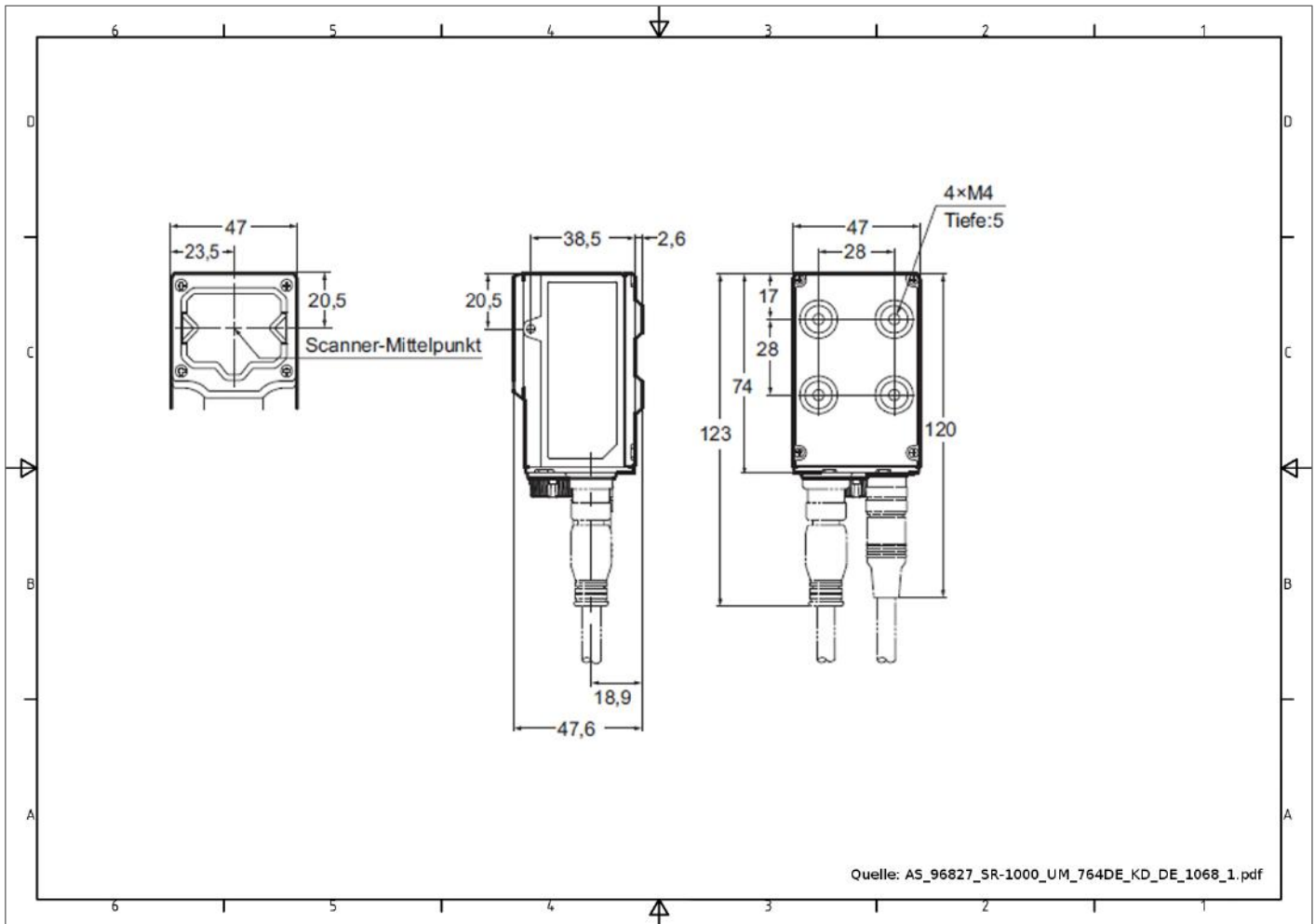
Code reader with autofocus. Reading codes up to 1 meter away.

Automatical setting of exposure time, filters and other parameters.

Automatic control of polarization filter for stable reading of marked 2D-Codes (DPM) on workpieces.

# 7025 Barcode-Scanner

Dimensional drawing (Dimensions in mm)



Sensor	CMOS Image-receptor
Resolution	1280 × 1024 pixel
Image capturing	Autofocus
Smallest possible resolution	2D-Code: 0,063 mm
	Barcode: 0,082 mm
Power supply	24 VDC ± 10 %
Power consumption	700 mA
Operation range temperature	0 to 45°C
Operating environment	No dust, no acid gases
Dimensions	94,5 x 47 x 47 mm