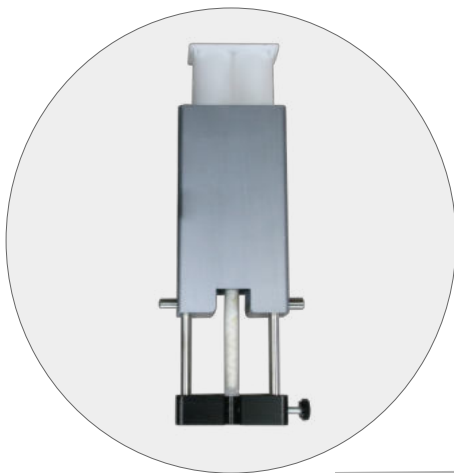


4076 *e*-dispenser 50 HP



5055-1 Accu-Set 5,0 Ah, 18V



Adapter:

1:1	4076-11MP
1:2	4076-21MP
1:4	4076-41MP
1:10	4076-101MP

Description

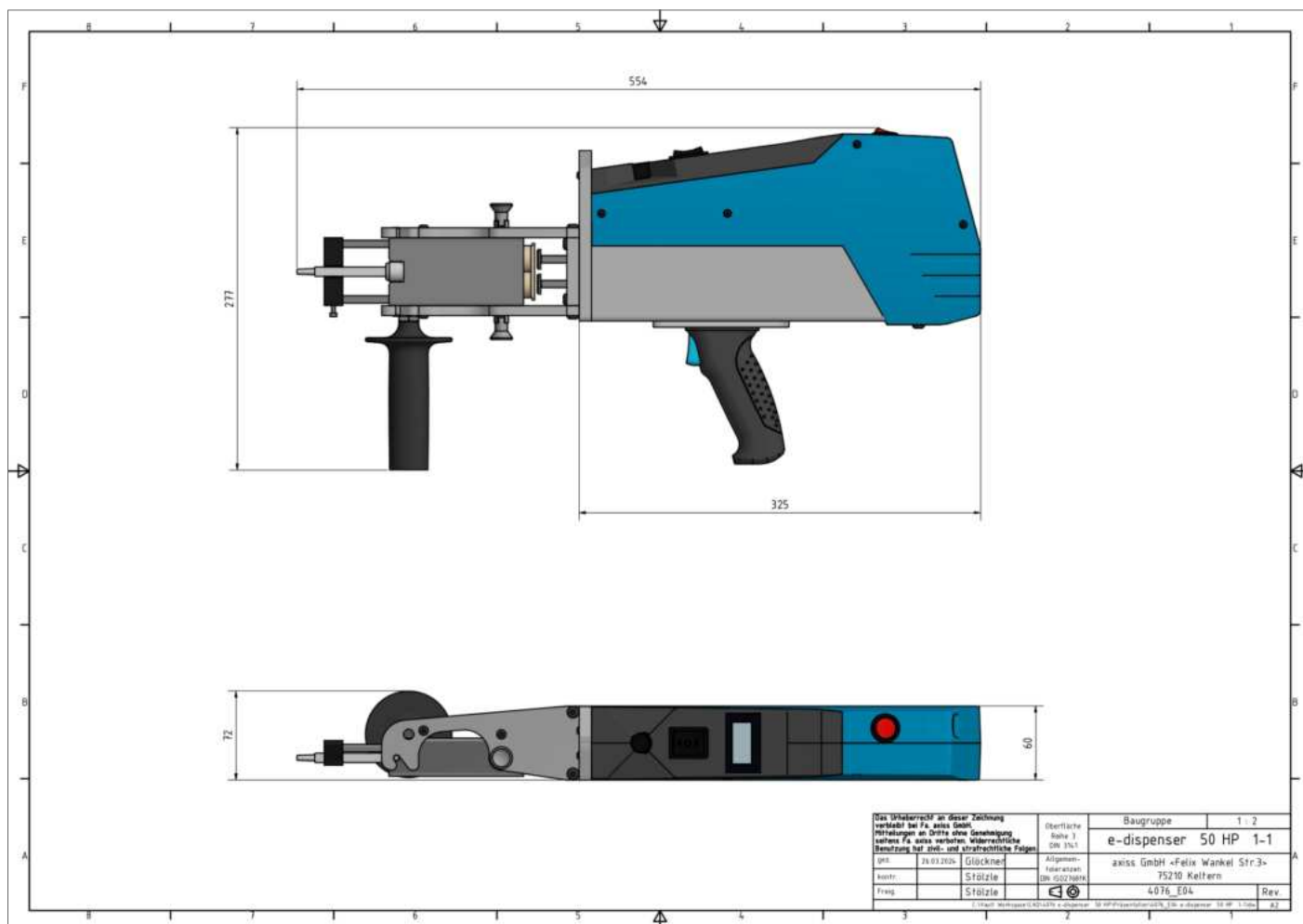
Electric dosing gun for dispensing from 2k-DUO cartridges. Drive via servo motor with recirculating ball screw. The pistons move parallelly to each other. The mixing ratio results from the cartridge geometry.

The gun doses in volume dosing mode and continuous dosing. By retract, the material within the cartridge is eased and therefor prevents a dripping.

With rotary poti and pressure switch, parameters such as dosing quantity, metering speed, etc. can be set.

4076 e-dispenser 50 HP

Dimensional drawing (Dimensions in mm)



Cartridge size (DUO)	50 ml
Dosing accuracy	+/- 0,02 ml (material depending)
Dosing speed	0,01 – 0,5 ml/s
Dosing volume min.	0,1 ml
Possible mixing ratios	1:1 / 1:2 / 1:4 / 1:10
Viscosity	Low- to high viscous dosing media
5055-1 Accu-Set	5055-11 Accu carrier with beltclip 5055-12 Accu 5,0Ah, 18V 5055-13 Accu-Charger
Dimensions	554 x 277 x 72 mm
Weight	3,7 kg