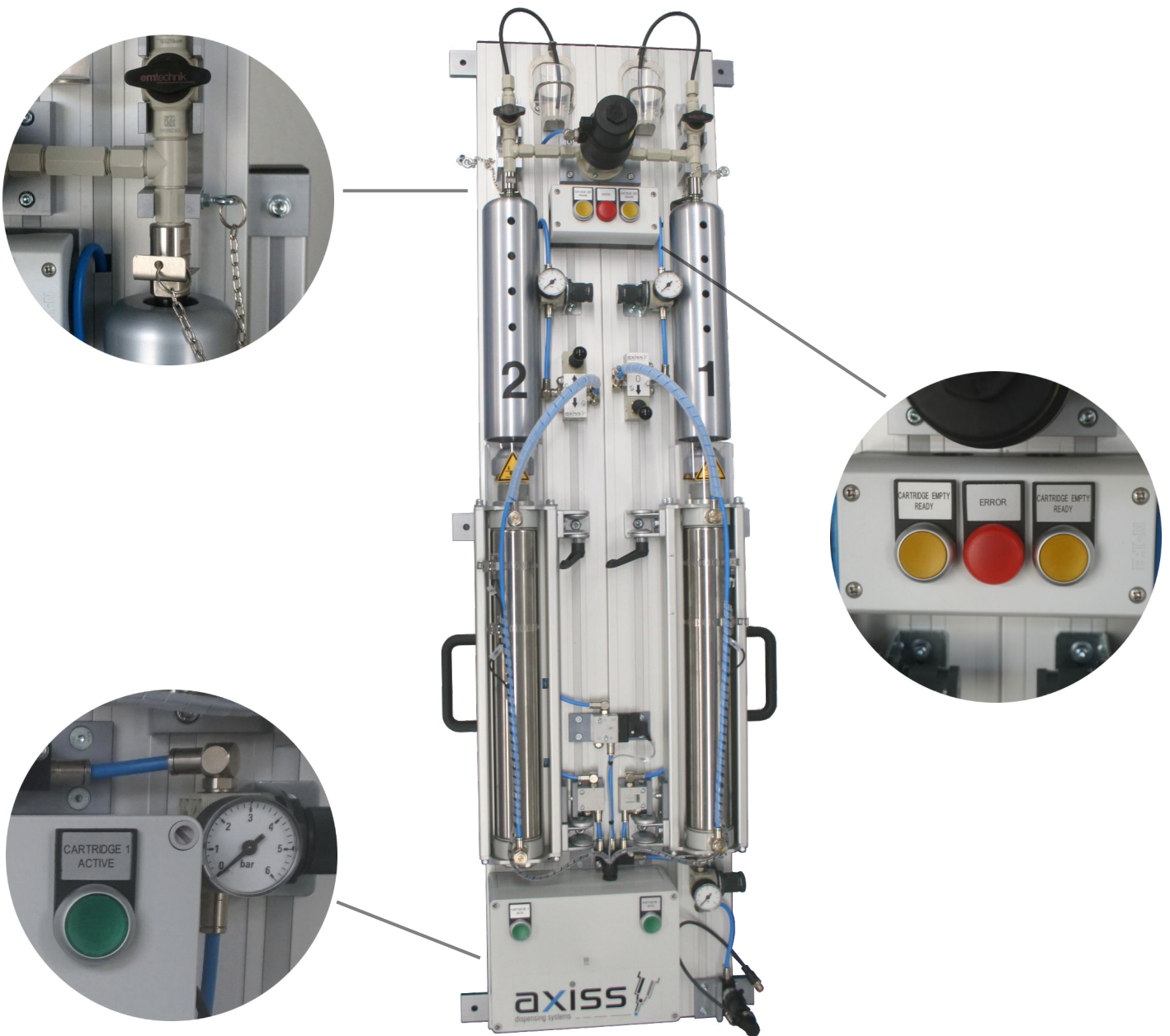


9117 Emptying system Semco 2 x 900 ml



Description

Double emptying system for liquid and pasty media from 2 x 900 ml Semco cartridges.

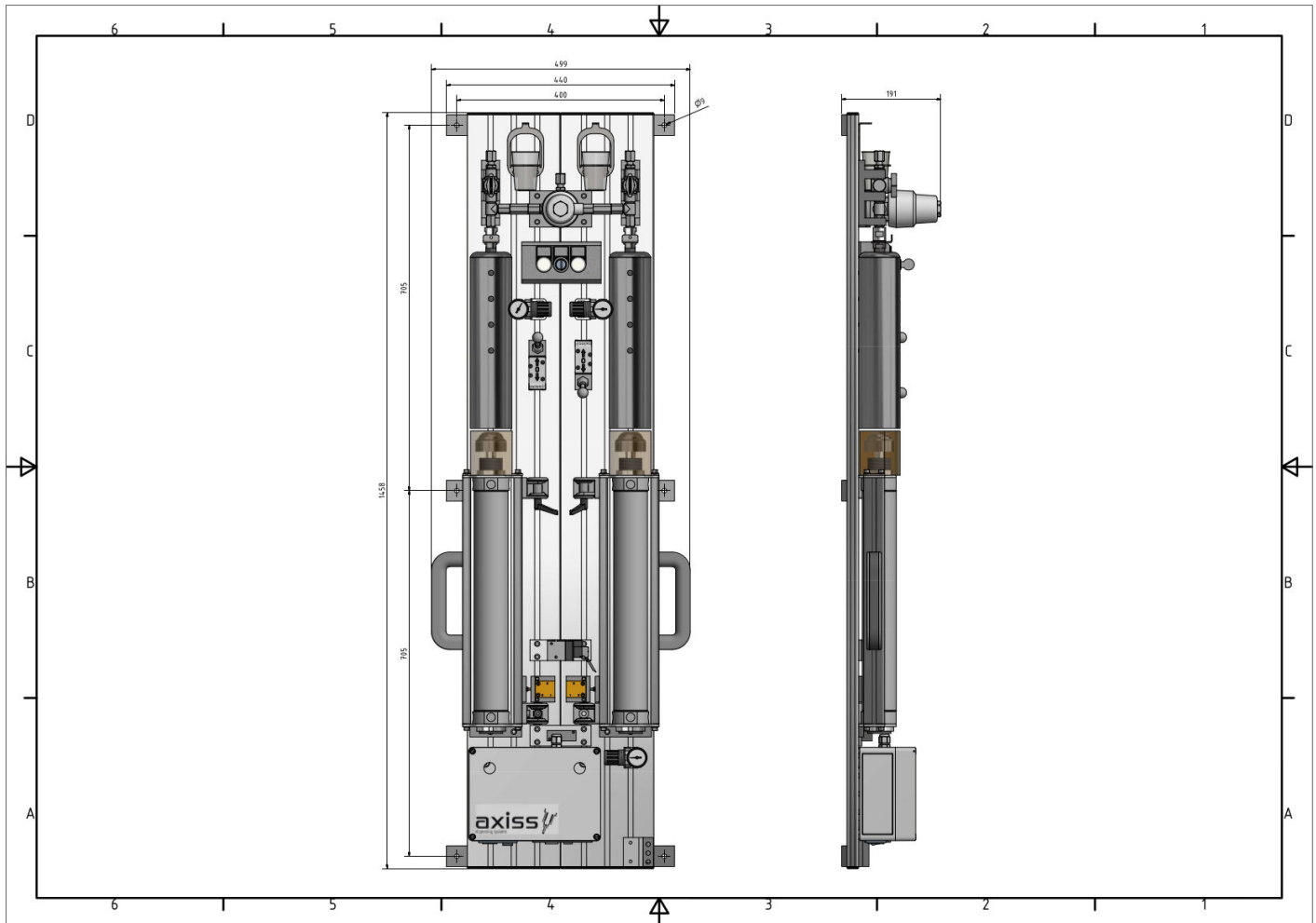
With folding mechanism for replacing the cartridges. Via material switch, reset-keys and controller, the cartridges are alternately cleared and the media extracted. Thus, a seamless material supply of dosing valves, e.g. dispensers etc. is possible.

The setting at the manometers changes the pressure on the cartridges and thus the flow rate.

The active container is displayed via a lamp. Connection options for dosing valves over the material hose. The emptying system works independently via internal control and also gives signals to the outside.

9117 Emptying system Semco 2 x 900 ml

Dimensional drawing (Dimensions in mm)



Cartridge size	Semco-Cartridges 900 ml
Pressing devices	2 pneumatical cylinders with throttle valves
	Material switch for alternately pressing
Schutz Schutz	
Max. valid air pressure	6 bar
Pressure regulation	Pressure regulator with pressure gauge
Protection	Safety valves (Stop pressured air)
Viscosity	Low to high viscous dosing media
Dimensions	1458 x 499 x 191 mm
Weight	20 kg