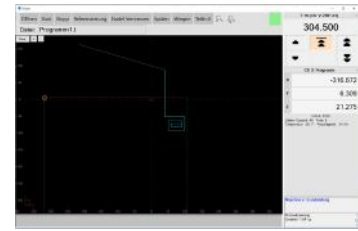
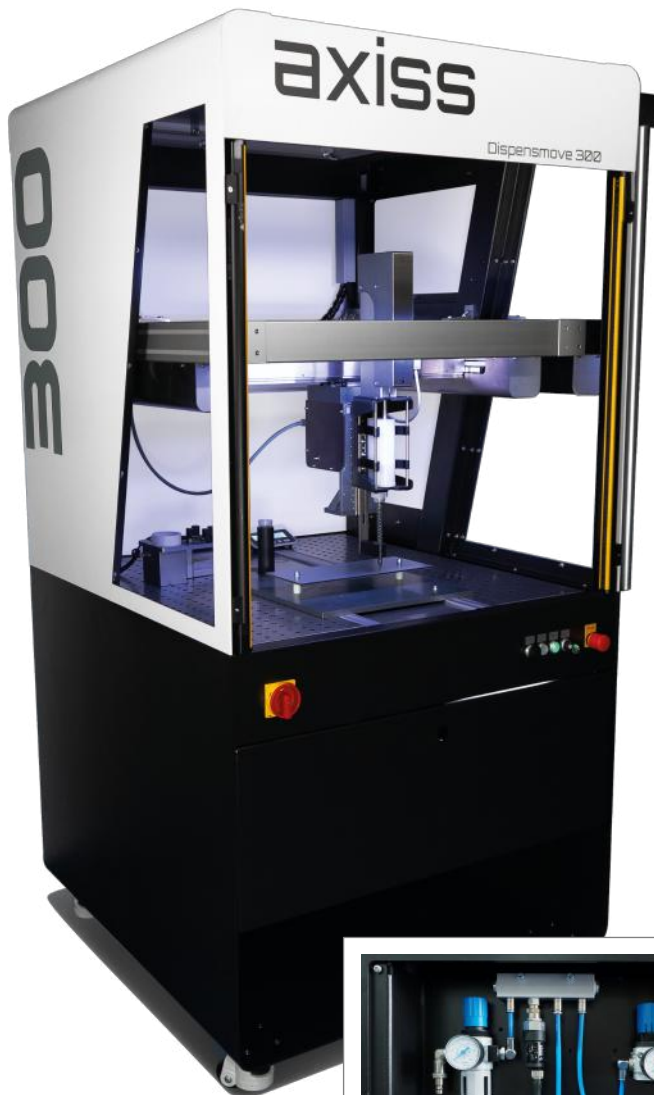


0310 Dispensmove 310



0002 DiSoft



1701 Interface-Card



1523 Needle sensor



2510 Purging unit

Description

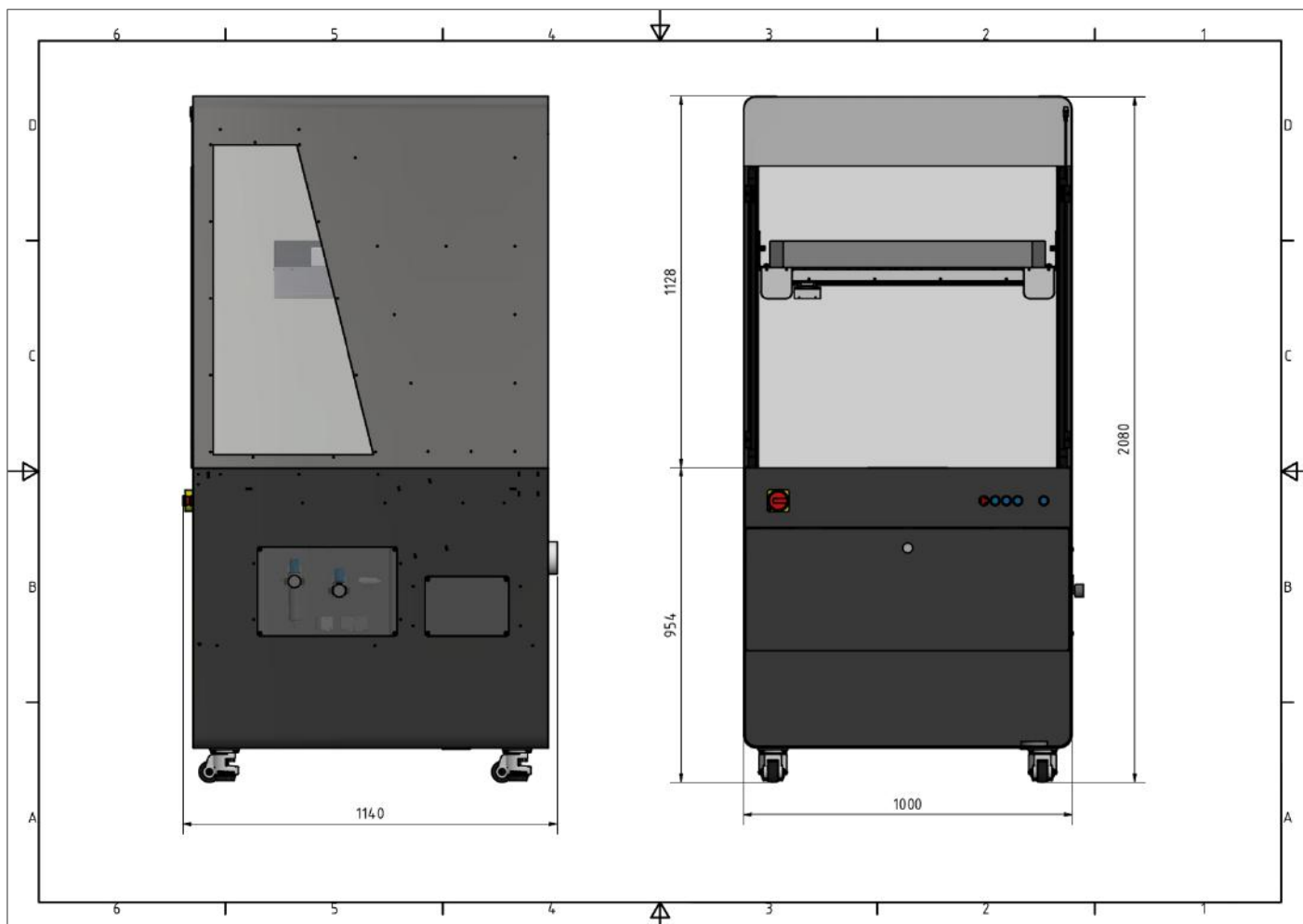
Automatic application of adhesives and sealants. Freely programmable for the dosage of dots, lines, arcs and combinations via PC.

Installation of different safety devices is also possible as the integration into an external controller.

An interface card switches various machine components via 12 inputs and outputs.

0310 Dispensmove 310

Dimensional drawing (Dimensions in mm)



Interpolation	3D Interpolation of axes / Triggering of dosing valve via 4th. axis.
Positioning accuracy	X und Y = 0,1 mm / Z = 0,05 mm
Movement speed	Up to 400 mm/s
Possible axis workload	Up to 3 kg, optional to 7 kg
Programming	Software „DiSoft“ / Import of CAD data (hppl.files)
Interface Input / Output	12 Inputs, 12 Outputs
Working area	(x)600 (y)480 (z)100 mm
Dimensions	(W)1000 (D)1140 (H)2800 mm
Weight	Depending on equipment