

4086 2k Dosing valve E400 Heating



4480 Controller



2410 Stand, big



4472 Foot-switch



4500 Heating control device

Description

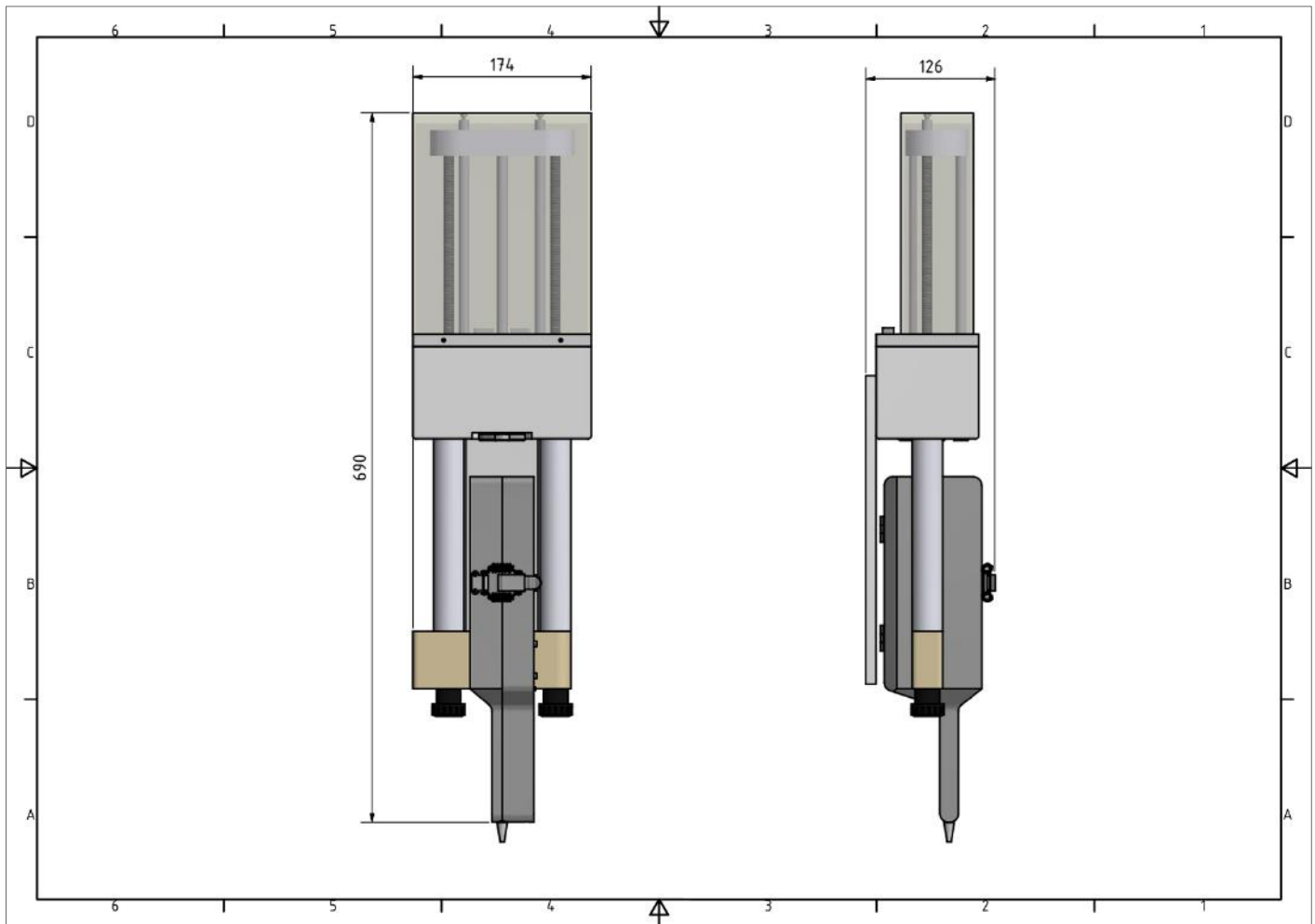
2k dosage with heating for applying two-components media. Electronically precisely controlled dosage from 2k double cartridges.

Two spindle motors express component A and B parallelly over guided linear bars. The material in the cartridge is relaxed via a withdrawal and thus prevents a dripping.

The heating block heats the mixing tube to a maximum of 100 ° C and thus improves the dosability and the demolition behavior of the medium. Parameters such as dosing quantities, dosing speed, etc. can be set via the controller.

4086 2k Dosing valve E400 Heating

Dimensional drawing (Dimensions in mm)



Cartridge size (DUO)	400 ml
Dosing accuracy	+/- 0,4 ml (Material depending)
Dosing speed	0,1 – 2,0 ml/s
Dosing volume min.	0,4 ml
Possible mixing ratios	1:1 / 1:2
Viscosity	Low to high viscous dosing media
Heating block	Heatable up to 100° C
Dimensions	690 x 174 x 126 mm
Weight	5 kg