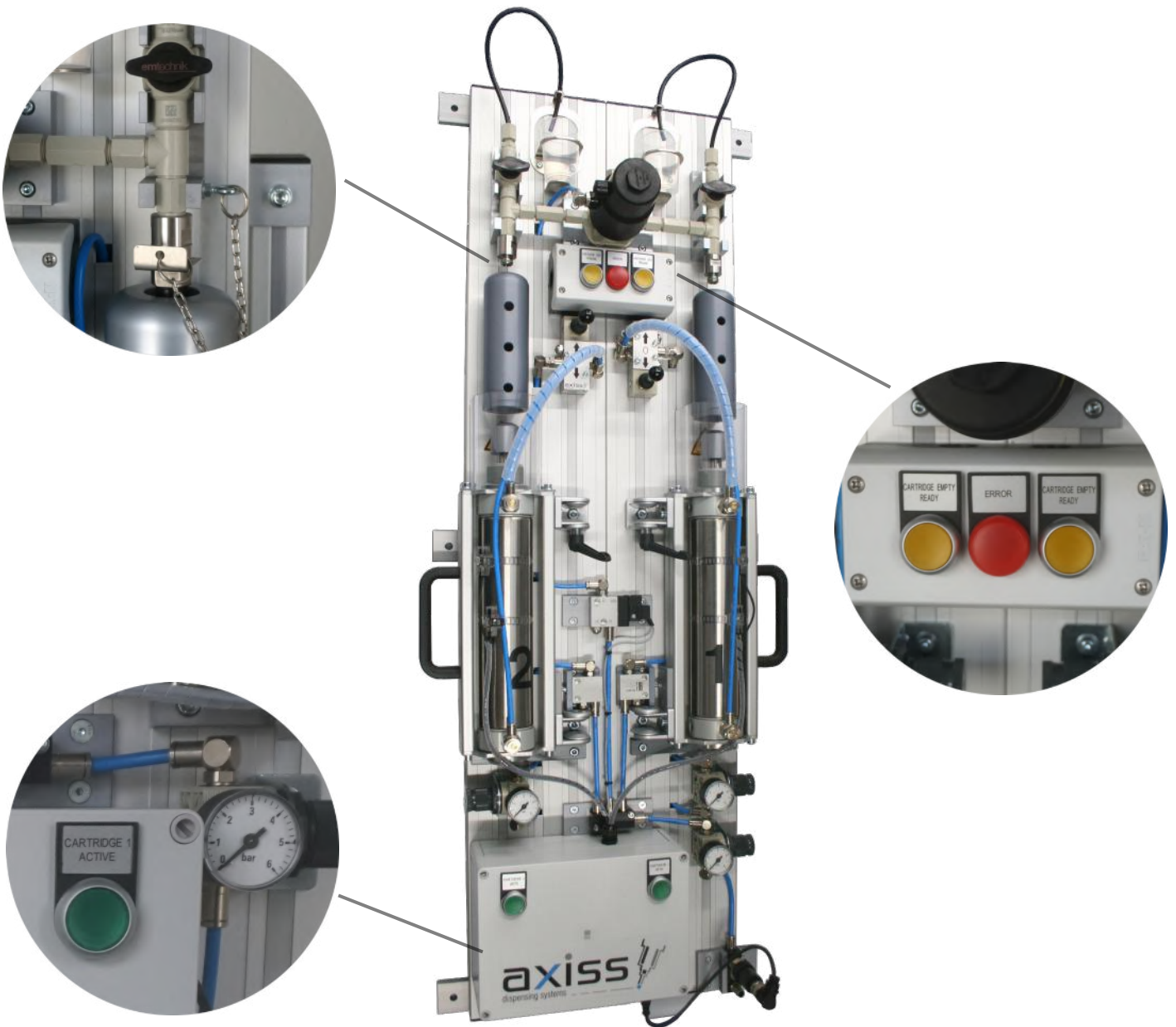


9121 Emptying system Semco 2 x 180 ml



Description

Double emptying system for liquid and pasty media from 2 x 180 ml Semco cartridges.

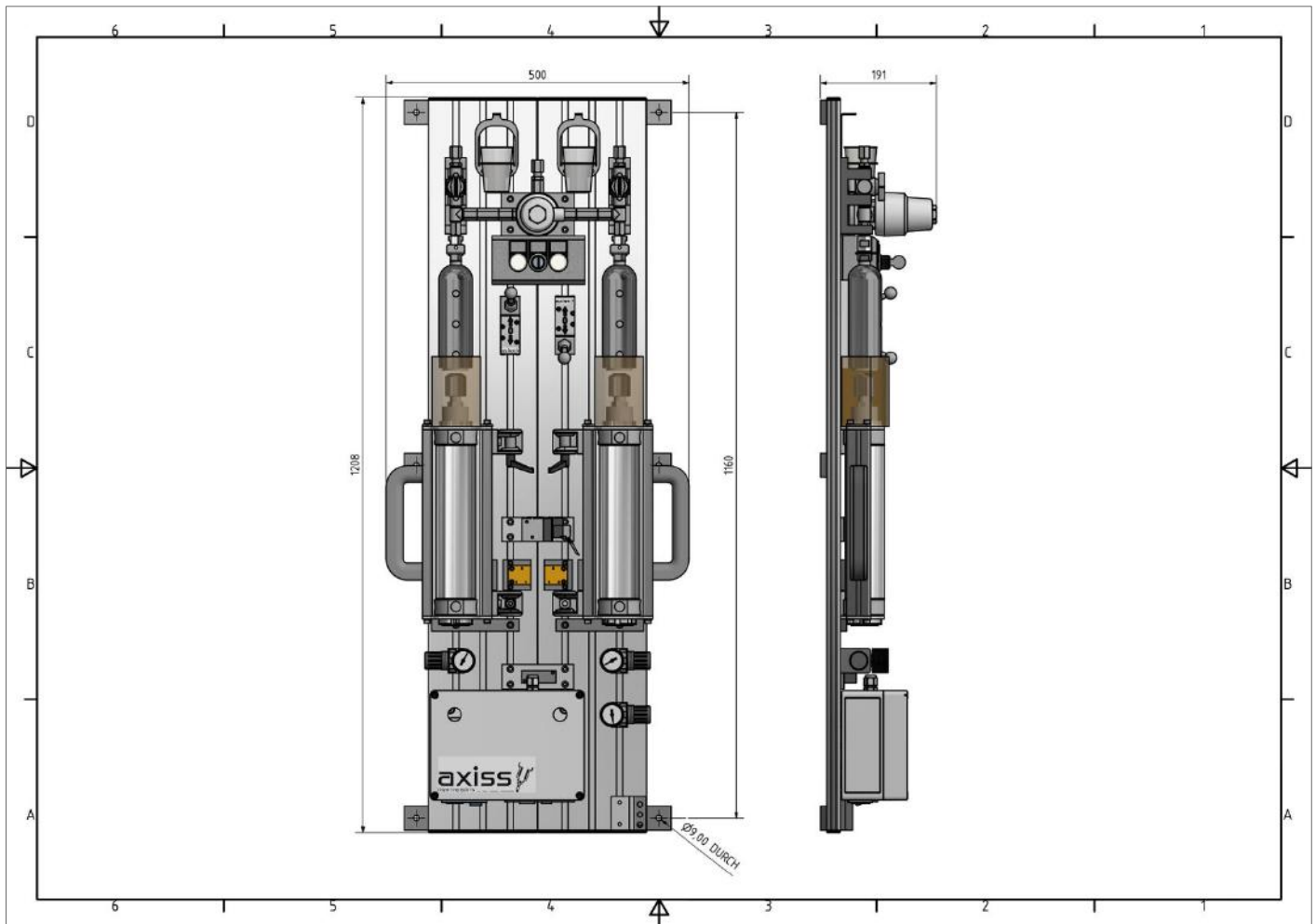
With folding mechanism for replacing the cartridges. Via material switch, reset-keys and controller, the cartridges are alternately cleared and the media extracted. Thus, a seamless material supply of dosing valves, e.g. dispensers etc. is possible.

The setting at the manometers changes the pressure on the cartridges and thus the flow rate.

The active container is displayed via a lamp. Connection options for dosing valves over the material hose. The emptying system works independently via internal control and also gives signals to the outside.

9121 Emptying system Semco 2 x 180 ml

Dimensional drawing (Dimensions in mm)



Cartridge size	Semco-Cartridges 180 ml
Pressing devices	2 pneumatical cylinders with throttle valves
Schutz	Material switch for alternately pressing
Schutz	
Max. valid air pressure	6 bar
Pressure regulation	Pressure regulator with pressure gauge
Protection	Safety valves (Stop pressured air)
Viscosity	Low to high viscous dosing media
Dimensions	1208 x 500 x 191 mm
Weight	15 kg